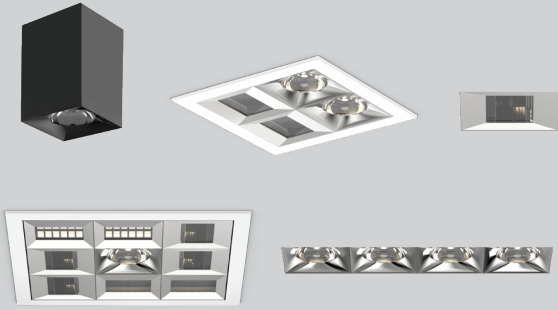


X-LITE™ DIRECT



CERTIFICATIONS & COMPLIANCE

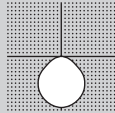


FEATURES

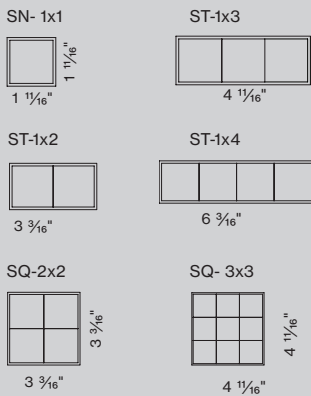


PERFORMANCE

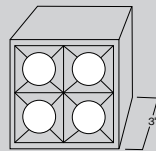
- Up to 70 lm/W
- Multipurpose lighting system
- Multiple lens and housing options
- Recessed, surface, suspended



HOUSING OPTIONS

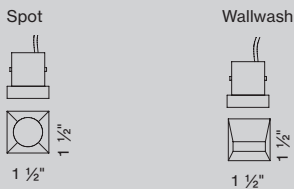


SIDE VIEW



*HEIGHT IS 3" FOR ALL MOUNTING TYPES

DIMENSIONS



Specification/Instructions

Use the drop downs to select each cells attribute.

1. Select mounting type, housing color, color temperature, and cell color
2. Select Dim Config for cell formation
3. Cell attribute will auto fill depending on selection made for each cell.

Mounting

Housing Color

Color temp

Cell Color

Dim Config.

A		B	
1	1	1	2
1	1	1	2

C		D		E	
1	2	1	2	1	2
2	1	3	1	3	4

Cell 1	Cell 2
Lens <input type="text"/>	Lens <input type="text"/>
DIM Config. <input type="text"/>	DIM Config. <input type="text"/>
NOTES <input type="text"/>	NOTES <input type="text"/>
Cell 3	Cell 4
Lens <input type="text"/>	Lens <input type="text"/>
DIM Config. <input type="text"/>	DIM Config. <input type="text"/>
NOTES <input type="text"/>	NOTES <input type="text"/>

Attributes Key

Use the housing and cell attributes key.

Dim Config.

E	
1	2
3	4

Housing Attributes Key		Cell Attributes Key	
A RANGE	X L I T E	A CELL TRIM COLOR	B G
			B M
			C H
			W G
			W M
B PATTERN	S N 1 x 1	C CELL COLOR TEMPERATURE	2 7
	S T 1 x 2		3 0 0 K C R I 9 0
	S T 1 x 3		3 5 0 0 K C R I 9 0
	S T 1 x 4		4 0 0 0 K C R I 9 0
	S Q 2 x 2		
	S Q 3 x 3		
C MOUNTING	R T L	D CELL DIMMING CHANNEL	C 1
	R T R		C 2
	S U R		C 3
	P D T		C 4
D HOUSING COLOR	W H		
	B L		
	G R		
	*RTL in white only		
E DIMMING CHANNEL	C 1		
	C 2		
	C 3		
	C 4		

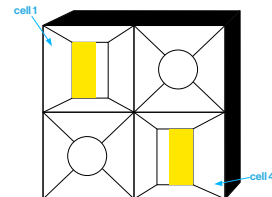
Housing attributes **X L I T E - S Q 2 x 2 - - - -**

Cell 1	Cell 2
W G W L 2 7 C 1	W G S P 3 5 C 2
Cell 3	Cell 4
W G S P 3 5 C 3	W G W R 2 7 C 4

Diagram Example

TOP ROW: Cells 1-2
Cell 1: White Gloss cell color, Wall Wash, light shinning left, and 2700K CRI90 temp.
Cell 2: White Gloss, Spotlight, 3500K CRI90 temp.

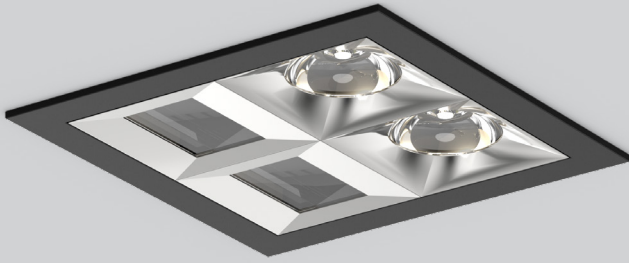
SECOND ROW: Cells 3-4
Cell 3: White Gloss, Spotlight, 3500K CRI90 temp.
Cell 4: White Gloss cell color, Wall Wash, light shinning right, and 2700K CRI90 temp.



BASO
basolighting.com

X-LITE™

SQ 2X2



CERTIFICATIONS & COMPLIANCE

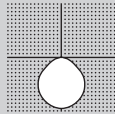


FEATURES

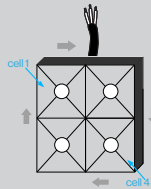


PERFORMANCE

- Up to 118 lm/W efficiency
- CRI > 80 & CRI > 90
- IC & Damp rated



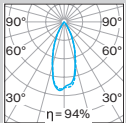
DIAGRAM



*Spot and Wallwash cells must have separate dimming channels.

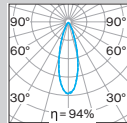
SINGLE CELL LIGHT DISTRIBUTIONS

SPOT LENS 14°



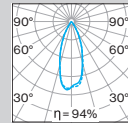
C0 C180
C90 C270
LED array 2.3W / 245lm
106 lm/W

MEDIUM LENS 30°



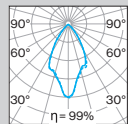
C0 C180
C90 C270
LED array 2.3W / 225lm
98 lm/W

FLOOD LENS 36°



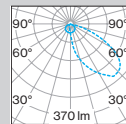
C0 C180
C90 C270
LED array 2.3W / 235lm
101 lm/W

WIDE LENS 57°



C0 C180
C90 C270
LED array 2.3W / 215lm
93 lm/W

WALL WASH



C0 C180
C90 C270
LED array 4.9 W / 365lm
75 lm/W

MOUNTING

HOUSING COLOR

*RTL in white only

COLOR TEMP

CELL COLOR

DIM CONFIG.

A	B	C	D	E
1 1	1 2	1 2	1 2	1 2
1 1	1 2	2 1	3 1	3 4

Cell 1	Cell 2
LENS <input type="text"/>	LENS <input type="text"/>
DIM CONFIG. <input type="text"/>	DIM CONFIG. <input type="text"/>
NOTES <input type="text"/>	NOTES <input type="text"/>
Cell 3	Cell 4
LENS <input type="text"/>	LENS <input type="text"/>
DIM CONFIG. <input type="text"/>	DIM CONFIG. <input type="text"/>
NOTES <input type="text"/>	NOTES <input type="text"/>

Housing attributes **XLITE-SQ2x2-**

Cell attributes

Cell 1	Cell 2
<input type="text"/> <input type="text"/> <input type="text"/> <input type="text"/>	<input type="text"/> <input type="text"/> <input type="text"/> <input type="text"/>
Cell 3	Cell 4
<input type="text"/> <input type="text"/> <input type="text"/> <input type="text"/>	<input type="text"/> <input type="text"/> <input type="text"/> <input type="text"/>

BASO
basolighting.com

Housing Configuration Code
XLITEQ40

Cell Configuration Code
XCQ4

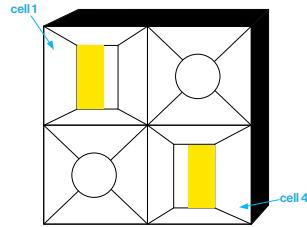
Power supply

1. LINE CONTROL

X-LITE 0-10V POWER SUPPLIES

	SPOT CELLS	WALLWASH CELLS
1 cell	XLPS - 12 - SP - 001	XLPS - 12 - WW - 001
2 cell	XLPS - 12 - SP - 002	XLPS - 12 - WW - 002
3 cell	XLPS - 12 - SP - 003	XLPS - 12 - WW - 003
4 cell	XLPS - 12 - SP - 004	XLPS - 12 - WW - 004
5 cell	XLPS - 12 - SP - 005	XLPS - 12 - WW - 005
6 cell	XLPS - 12 - SP - 006	XLPS - 12 - WW - 006
7 cell	XLPS - 12 - SP - 007	XLPS - 12 - WW - 007
8 cell	XLPS - 12 - SP - 008	XLPS - 12 - WW - 008
9 cell	XLPS - 12 - SP - 009	XLPS - 12 - WW - 009

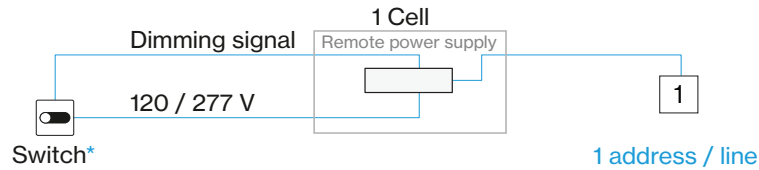
*X-Lite configurations with both Spot and Wallwash cells will need two separate remote drivers



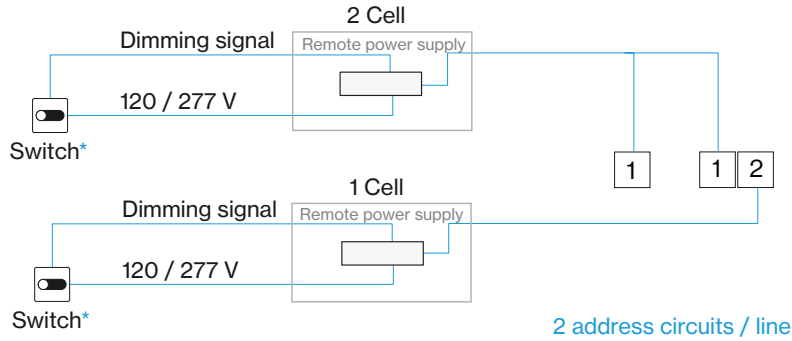
Wiring diagrams

1. LINE CONTROL

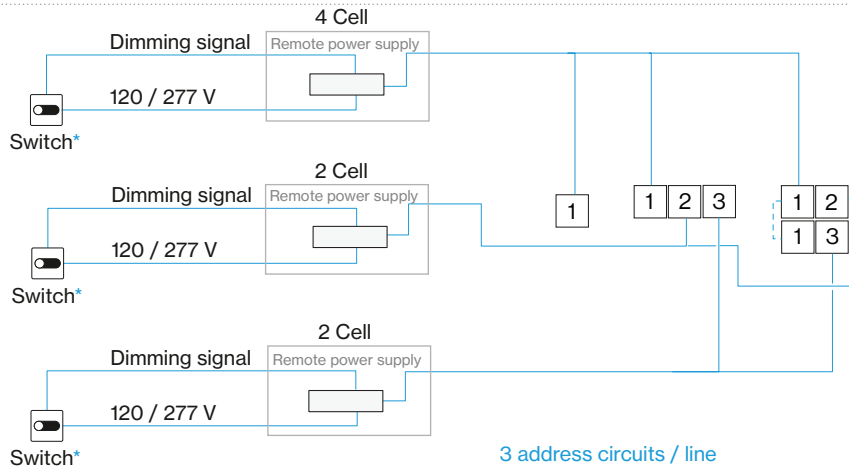
0-10V DIM Single Circuit



0-10V DIM Dual Circuit

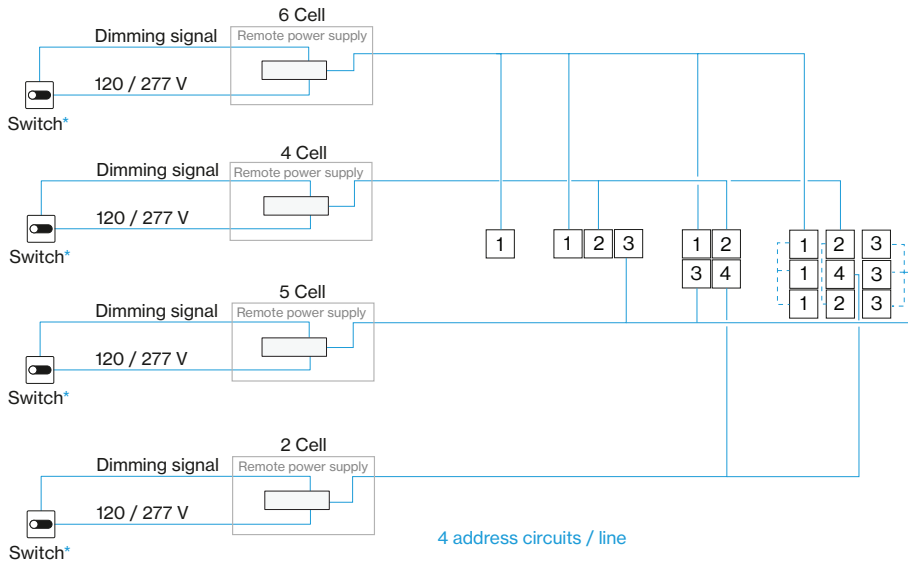


0-10V DIM Tri Circuit



Wiring diagrams continued

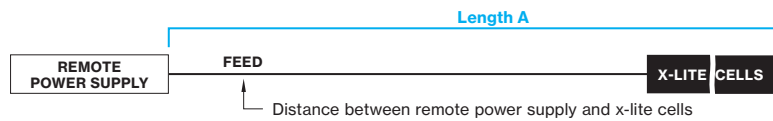
0-10V DIM Quad Circuit



Length range per power supply

POWER SUPPLY

Length A max 150'



Declare.

**X-LITE
BASO Inc.**

Final Assembly: Oxford, Connecticut, USA
 Life Expectancy: 7 Year(s)
 End of Life Options: Recyclable (80%), Landfill (20%)

Ingredients:

Steel, manufacture, chemicals, Aluminum, Small electrical component, Poly(vinyl chloride), Copper chloride (CuCl₂), Poly(Ethynyl 1,6-Dioxo-1,6-hexanediyl)imino-1,6-hexanediyl

^LBC Temp Exception RL-002 - Small Electrical Components

Living Building Challenge Criteria:

H3 Red List:
 LBC Red List Free % Disclosed: 100% at 100ppm
 LBC Red List Approved VOC Content: Not Applicable
 Declared

H10 Interior Performance: Not Applicable
H14 Responsible Sourcing: Not Applicable

BAS-0003
 EXP: 01 JUL 2025
 Original Issue Date: 2024

INTERNATIONAL LIVING FUTURE INSTITUTE™ livingfuture.org/declare

Mounting instructions

Get access to the mounting instructions faster by scanning the QR code.

<https://www.basolighting.com/resources/mounting-instructions/x-lite>

