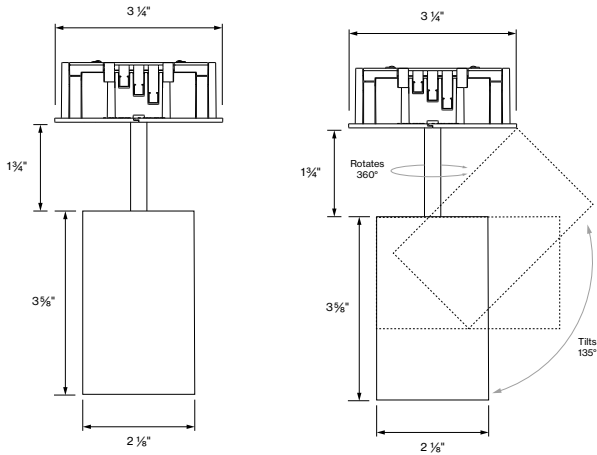
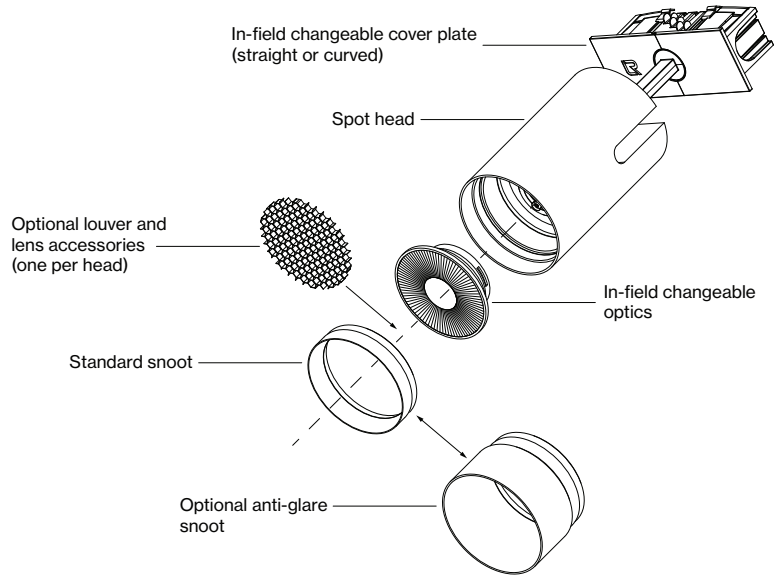


DIMENSIONS

SPOT 2.0



OPTIONS



Declare.

R-LINE SPOT BASO Inc.

Final Assembly: Oxford, Connecticut, USA

Life Expectancy: 7 Year(s)

End of Life Options: Recyclable (80%), Landfill (20%)

Ingredients:

Aluminum; Small electrical components; Zinc; Steel manufacture, chemicals; Copper

¹LBC Temp Exception RL-002 - Small Electrical Components

Living Building Challenge Criteria: Compliant

I-13 Red List:

LBC Red List Free % Disclosed: 100% at 100ppm
 LBC Red List Approved VOC Content: Not Applicable
 Declared

I-10 Interior Performance: Not Applicable
 I-14 Responsible Sourcing: Not Applicable

BAS-0004
 EXP: 01 AUG 2025
 Original Issue Date: 2024

INTERNATIONAL LIVING FUTURE INSTITUTE™ living-future.org/declare