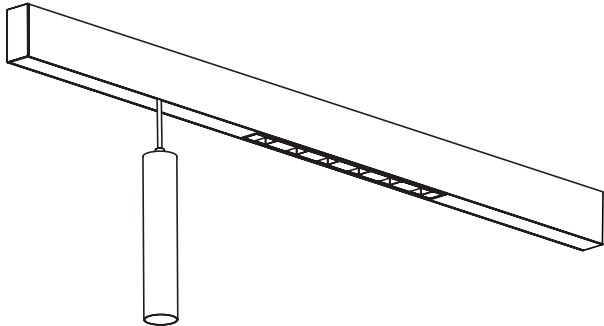



M-LINE 1.1 / 1.2 surface

MOUNTING INSTRUCTIONS

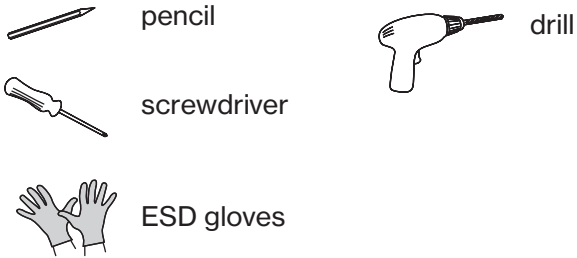
DO NOT DISCARD!



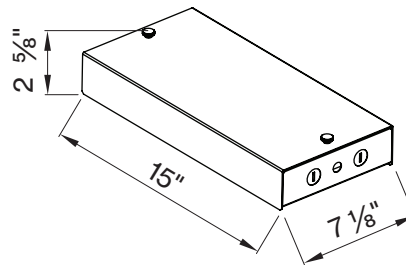
SIGN LEGEND

-  power OFF
-  power ON
-  don't touch the LEDs
-  attention
-  use ESD gloves

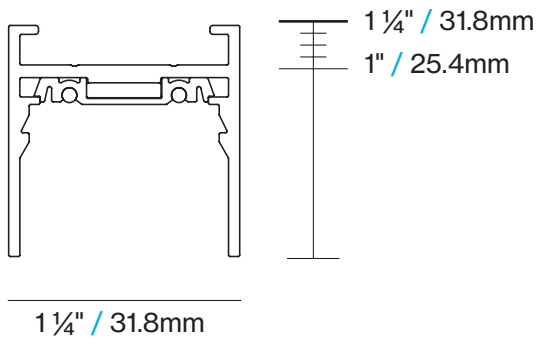
TOOLS REQUIRED (not included)



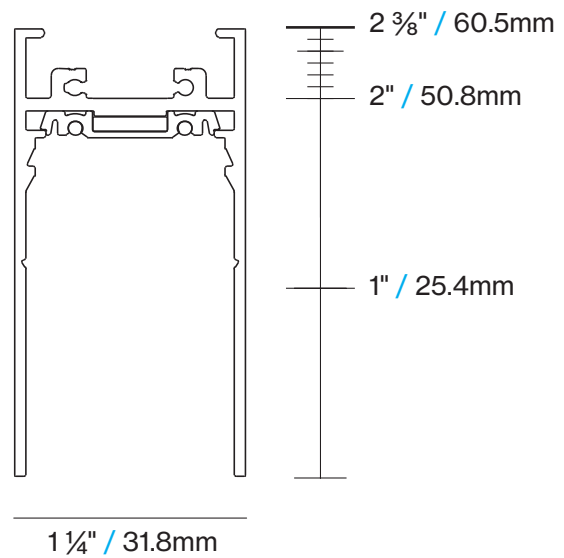
POWER SUPPLY DIMENSIONS



M-LINE 1.1



M-LINE 1.2

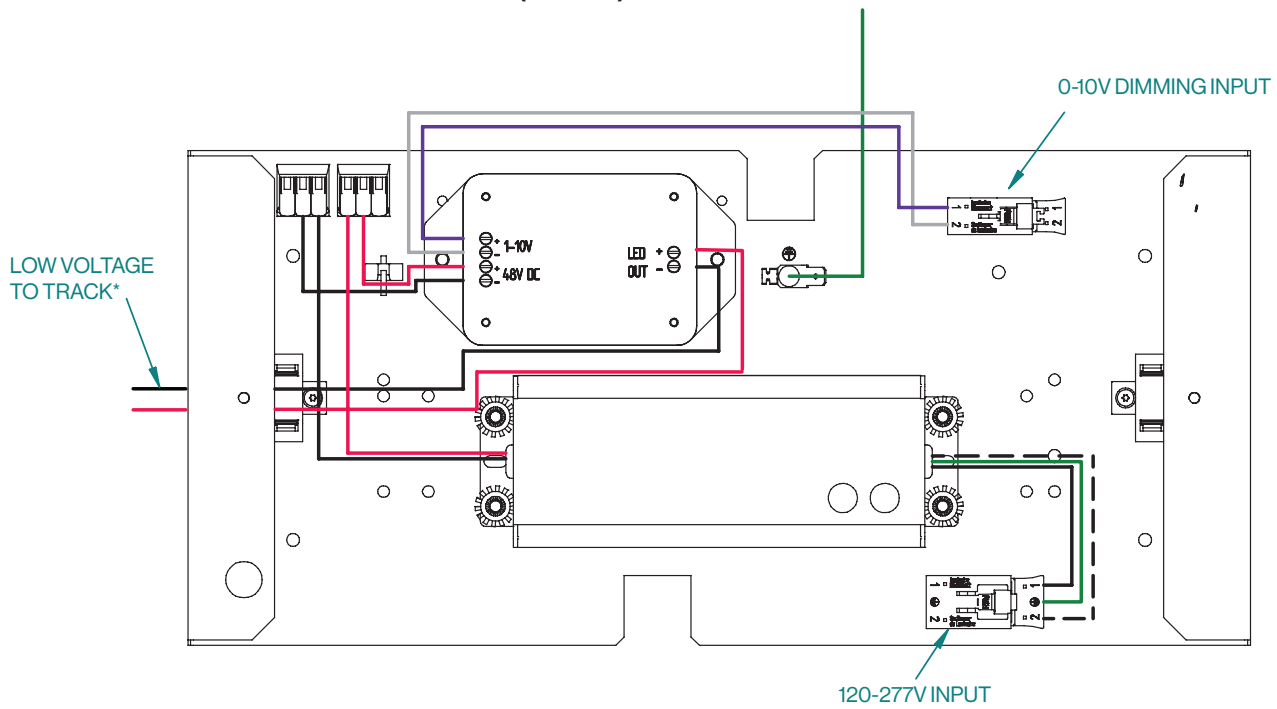


M-LINE 1.1 / 1.2 surface

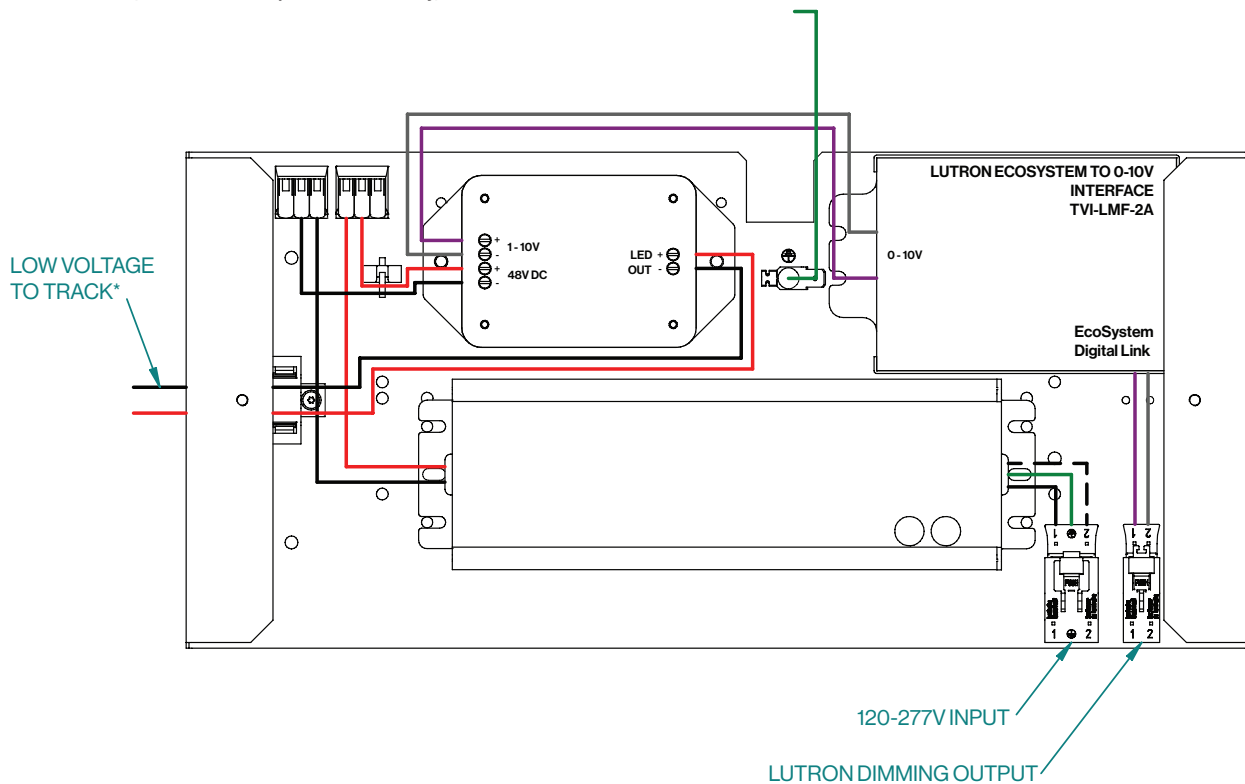
MOUNTING INSTRUCTIONS

WIRING DIAGRAMS

0-10V DIMMING CONTROL (SINGLE)



LUTRON ECOSYSTEM (one Lutron address per remote driver only)



*Please check distance limits (voltage drop table) - any cables in the plenum space (including low voltage > 100W) need to conduit

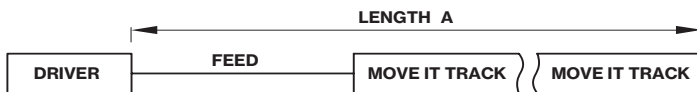
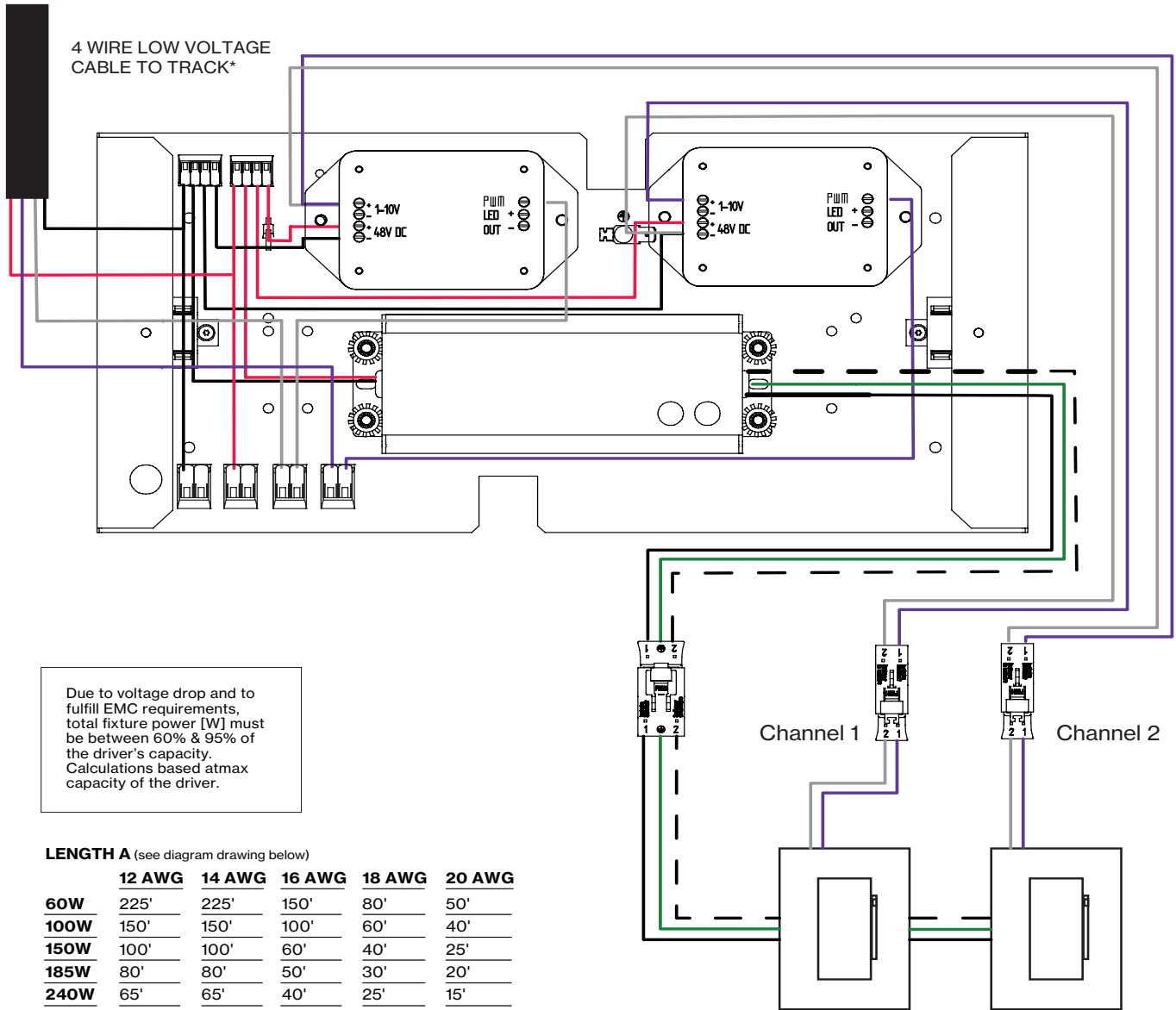
M-LINE 1.1 / 1.2 surface

MOUNTING INSTRUCTIONS

WIRING DIAGRAMS

0-10V DUAL CHANNEL DIMMING (DC10)

- (1) Line voltage circuit
- (2) 0-10V dimming channels

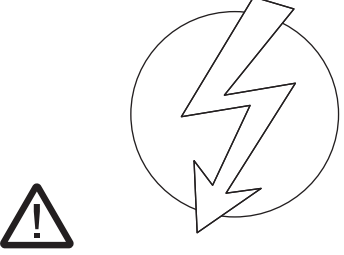
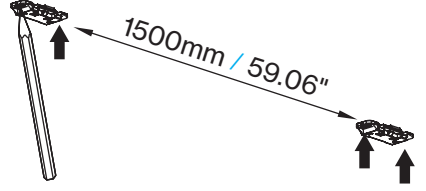
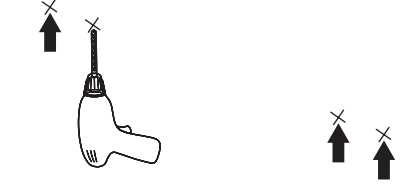


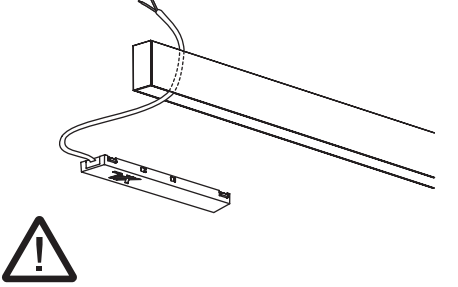
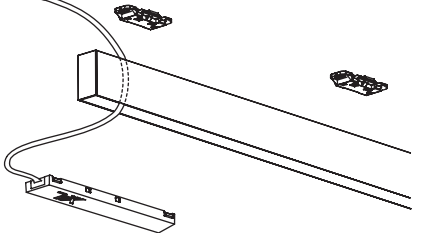
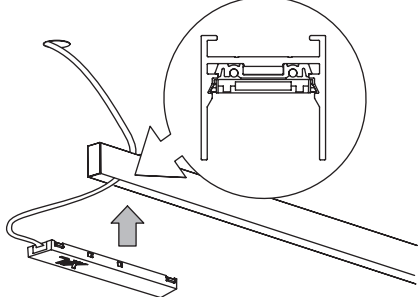
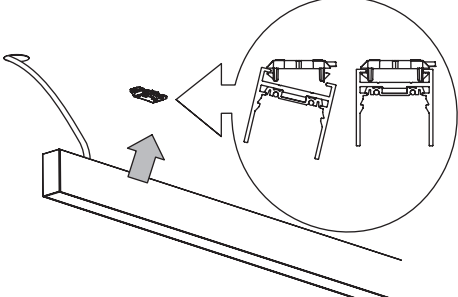
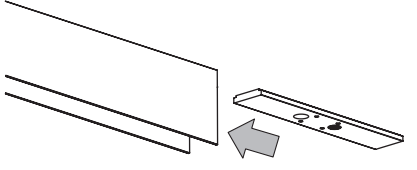
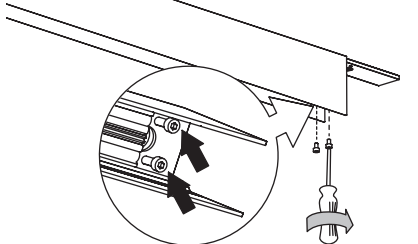
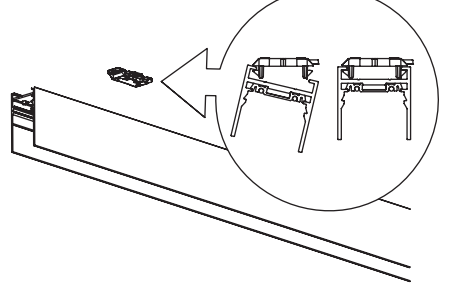
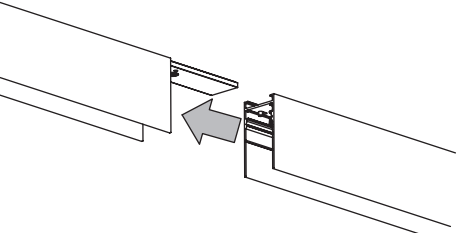
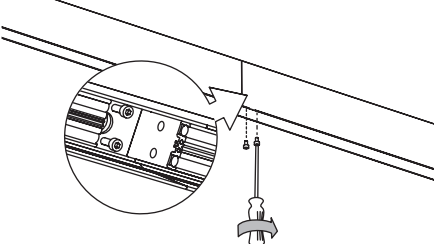
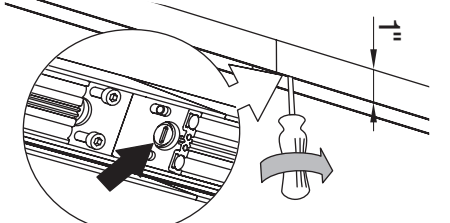


Two 0-10V Dimmers *By others
 Three-Way Primary wiring configuration
 If controlled as one dimming channel please wire both channels to the same 0-10V signal

*Please check distance limits (voltage drop table) - any cables in the plenum space (including low voltage > 100W) need to conduit

M-LINE 1.1 / 1.2 surface

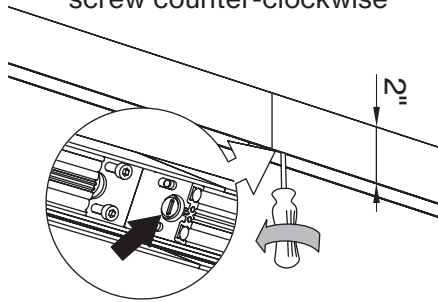
MOUNTING INSTRUCTIONS

<p>Turn OFF power source before installation</p> 	<p>1. Mark dimensions for mounting</p> 	<p>2. Drill out holes for bracers and power feed</p> 
<p>3. Insert anchors</p> 	<p>4. Use screws to secure brackets. Repeat steps 1-4 for each individual channel</p> 	<p>5. Insert feeder through hold in track</p> 
<p>6. Thread feeder through hole in ceiling</p> 	<p>7. Snap feeder clip into track</p> 	<p>8. Mount track to brackets</p> 
<p>9. Insert linear connector(s)</p> 	<p>10. Use screws to secure connector(s)</p> 	<p>11. Mount next track onto brackets</p> 
<p>12. Slide next track onto linear connector(s)</p> 	<p>13. Use screws to secure connector(s)</p> 	<p>14 A. Track 1.1: Turn tensioning screw clockwise. Repeat steps 9 - 14 for additional channels</p> 

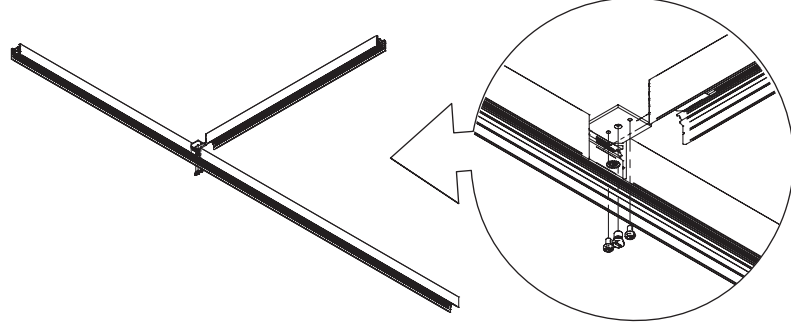
M-LINE 1.1 / 1.2 surface

MOUNTING INSTRUCTIONS

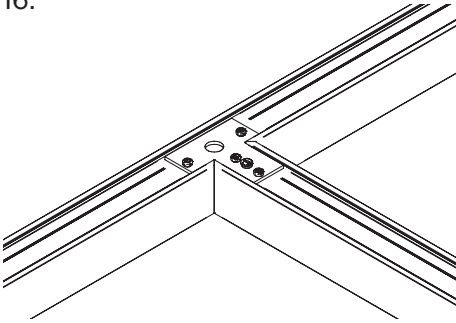
14 B. **Track 1.2:** Turn tensioning screw counter-clockwise



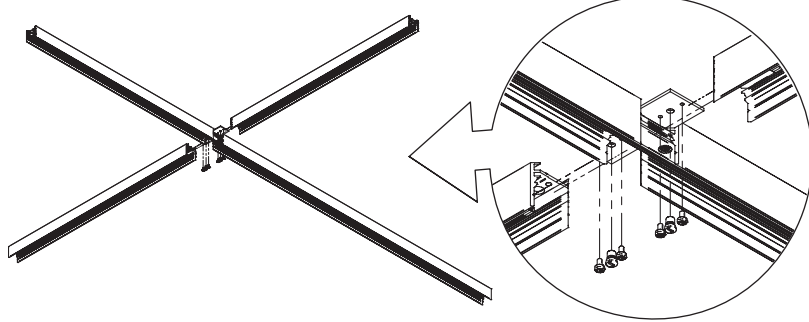
15. **Insert T-Connector (optional):** Use screws to attach T-connection



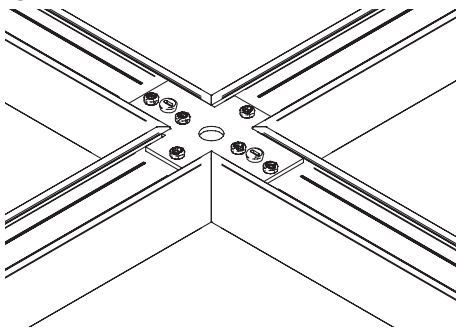
16.



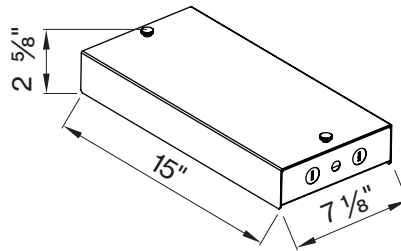
17. **Insert X-Connector (optional):** Use screws to attach X-connection



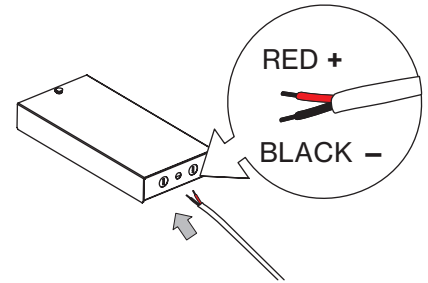
18.



19. Install converter box (ceiling / utility room). See chart below for max. distance

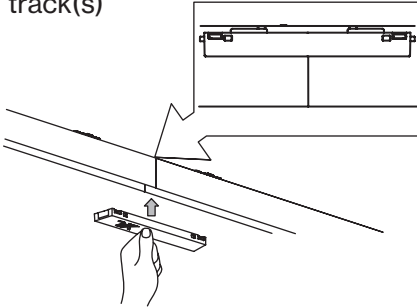


20. Connect power feeder to converter box

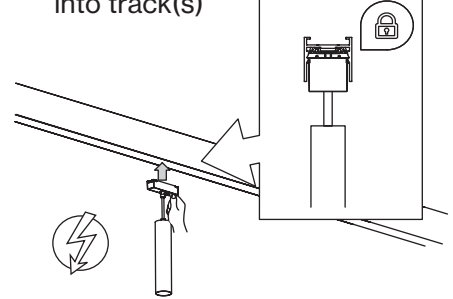


Please see wiring diagram on page 2

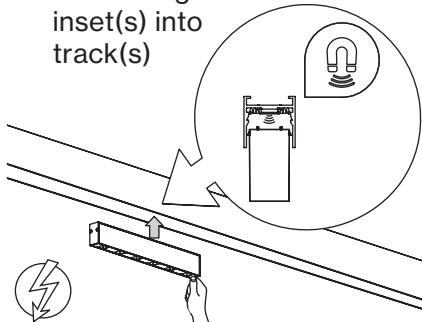
21. Snap track connector(s) into track(s)



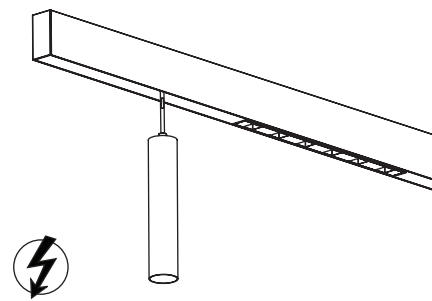
22 A. Snap inset(s) into track(s)



22 B. Place magnetic inset(s) into track(s)



23. Installation complete



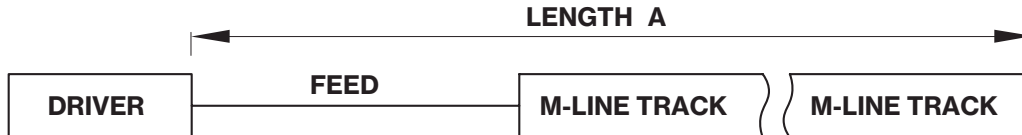
M-LINE 1.1 / 1.2 surface

MOUNTING INSTRUCTIONS

LENGTH A (see diagram drawing below)

	12 AWG	14 AWG 1	6 AWG 1	8 AWG	20 AWG
60W	225'	225'	150'	80'5	0'
100W	150'	150'	100'	60'	40'
150W	100'	100'	60'4	0'	25'
185W	80'8	0'	50'3	0'	20'
240W	65'6	5'	40'	25'	15'
320W	50'5	0'	30'	18'	11'

Due to voltage drop and to fulfill EMC requirements, total fixture power [W] must be between 60% & 95% of the driver's capacity. Calculations based atmax capacity of the driver.



Technical Support Hotline

The Technical Support Hotline is available by phone from Monday to Friday, 8 AM - 6 PM (EST)

Hotline:
+1 203 262 9990

Or 24/7 via email:
service@basolighting.com

EN Installation, commissioning and maintenance may only be performed by authorized and qualified personnel, taking into consideration these installation instructions and any standards and regulations applicable to the respective area of application. The electrical, mechanical and thermal suitability of the luminaire for the intended area of application must be ensured and the secure fastening of the luminaire after its installation must be controlled. Turn off supply voltage before replacing any lamps (if applicable) as well as before performing any other works on the luminaire (e.g. cleaning) and wait until luminaire and lamp have completely cooled off. Please refer to the installation notes of the lamp manufacturer when inserting, replacing and operating conventional lamps. Use a soft, damp cloth to clean the luminaire. To clean plastic components and reflectors, a standard pH neutral, alcohol-free, non-abrasive cleaning agent may also be used.

Keep these installation instructions in a safe place as reference for any future maintenance works.

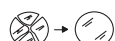
- The lamp is not suitable for outdoor use.
- The lamp may only be used with a safety guard.
- Damaged protection glasses and covers have to be replaced immediately.
- Corrosive chemical products must not be used as this may have a detrimental effect on the luminaire.
- No liability is accepted for any subsequent change of the luminaire.
- LEDs are high-quality electronic components! Please avoid touching by hand the LED light emitting surface while assembling or replacing parts and during maintenance work.
- To avoid damage of the profile, unevenness on the wall or ceiling must be leveled out before assembling the profiles. While assembling the profiles, make sure they do not deform in order to guarantee their proper function.
- The light source contained in this luminaire shall only be replaced by the manufacturer or his service agent or a similar qualified person.
- The LED circuit must always be closed, before the converter is connected to the main power. BASO does not assume any liability for damages resulting from nonobservance of this rule.
- Luminous flux and connected electrical load are subject to an initial tolerance of up to +/-10%. Color temperature is subject to a tolerance of up to +/- 150 Kelvin from the nominal value.

ES Le montage et la maintenance peut être effectué par spécialistes respectant les normes y régles valides. Assurer l'aptitude thermique, mecanique et électrique pour l'emploi prevue et assurer la fixation de la luminaire. Éteindre la tension avant de changer les lampes (si applicable) ou avant de réaliser travaux (p.ex nettoyage) a la luminaire. Attendre jusqu'à ce que la luminaire et les lampes ont fraichit complètement. Merci de bien vouloir vous référer aux notes d'installation du fabricant de la lampe lors de l'insertion, le remplacement et la mise en route, avec des lampes conventionnelles. Pour nettoyer la luminaire utiliser un drap humide et doux. Pour nettoyer les parties du plastique ou les reflecteurs on peut utiliser encore un produit de nettoyage sans alcool qui ne fraye pas le material. Garder cette notice de montage pour possibles travaux de maintenance.

- La luminaire n' est pas apte pour l'utilizaje exterieur.
- Utilizer la luminaire seulement avec un dispositif de sécurité
- Changer immédiatement des verres de sécurité defectes ou bien des écrans de protection.
- Évitez tout contact de la lampe avec de produits chimiques corrosifs.
- Nous déclinons toute responsabilité en cas de modifications ultérieures.
- Des LEDs sont des composants électroniques de haute qualité! Éviter tout contact direct de la surface de sorti de lumière de la LED avec les mains lors du montage ou des les travaux de maintenance de la lampe.
- Pour éviter l'endommagement du profil, il est nécessaire de compenser les irrégularités du mur ou du plafond avant le montage des profils. Pour garantir un fonctionnement irréprochable des profils, il ne faut pas déformer les profils lors du montage.
- La source du luminaire peut être remplacé uniquement par le fabricant ou un tiers habilité.
- Il faut que le circuit de LED soit fermé avant de connecter le convertisseur. BASO ne assume pas la garantie si cette norme ne se respecte pas.
- La puissance et le flux lumineux affichent d'origine une tolérance de +/-10 %. Tolérance de la couleur de température : +/- 150 Kelvin.

FR La instalación, la puesta en marcha y el mantenimiento sólo deben realizarse por personal especializado considerando esta guía de instalación y todas las normas y reglamentaciones vigentes. Asegurarse de la aptitud eléctrica, mecánica y térmica de la luminaria para la aplicación prevista y comprobar la fijación segura de la luminaria después de su instalación. Apagar siempre la corriente antes de cambiar la lámpara (en caso justificado) o de realizar algún otro trabajo en esta (p.ej. Limpieza). Esperar hasta que se enfríen la luminaria y la lámpara completamente. Tener en cuenta las instrucciones de montaje del fabricante al colocar, cambiar y utilizar lámparas convencionales. Para la limpieza de la luminaria utilizar un paño suave y húmedo. Para limpiar componentes de plástico y reflectores puede usar también un limpiador pH neutral y sin alcohol que no roce el material. Guardar esta guía de instalación para trabajos de mantenimiento.

- La luminaria no es apta para utilizarla en el exterior. en esta (p.ej. Limpieza). Esperar hasta que se enfríen la luminaria y la lámpara completamente. Tener en cuenta las instrucciones de montaje del fabricante al colocar, cambiar y utilizar lámparas convencionales. Para la limpieza de la luminaria
- La luminaria solo debe accionar con un dispositivo de seguridad.
- Cambie de inmediato los vidrios y las tapas de protección dañados.
- Químicos que tienen efectos corrosivos no deben influir en la luminaria.
- Para modificaciones futuras en la luminaria no se asume ninguna responsabilidad.
- Los LED son componentes electrónicos de alta calidad! Por favor durante el montaje o el mantenimiento evite el contacto directo con la superficie de emisión.
- Para evitar danos en el perfil, los desniveles de las paredes y techos deben ser enrasados antes del montaje de los perfiles. Para garantizar su buen funcionamiento, los perfiles no deben sufrir deformaciones durante el montaje.
- La fuente luminosa contenida en esta luminaria debe ser reemplazada únicamente por el fabricante o su agente de servicio o similar persona cualificada.
- El circuito LED debe ser cerrado antes de conectar el convertidor. BASO no asume garantía si esta norma no se respeta.
- I dati di flusso luminoso e potenza sono inizialmente passibili di tolleranze di +/- 10%. Tolleranza della temperatura di colore: +/- 150 Kelvin.



The lamp may only be operated with its full protective cover!



L'apparecchio necessita del relativo vetro di protezione!

Sólo usar la luminaria con su cobertura de seguridad completa!



Recommended room temperature: 77 °F.

Temperatura ambiente raccomandada: 77 °F.

Température ambiante recommandée: 77 °F.



Don't touch the LED



Use gloves.

Use guantes.

Utiliser des gants.