

# DOT-SQ recessed

MOUNTING INSTRUCTIONS

## DO NOT DISCARD!

### LEGEND OF THE SIGNS



POWER OFF



POWER ON



DO NOT TOUCH  
THE LED



ATTENTION



USE ESD  
GLOVES

### TOOLS REQUIRED (not included)



PENCIL



SCREWDRIVER

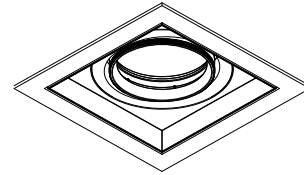


DRILL



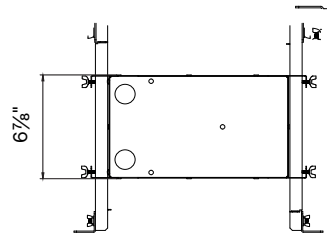
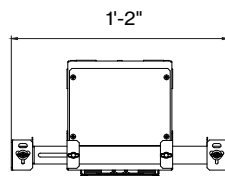
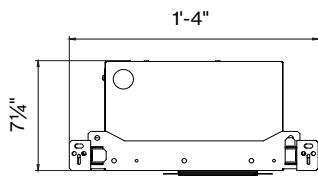
SCREWS

### DOT-SQ Recessed

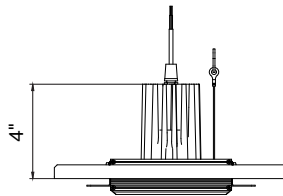
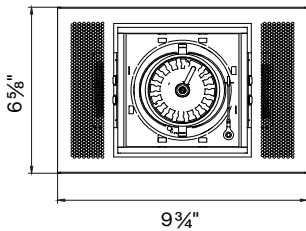


### Dimensions

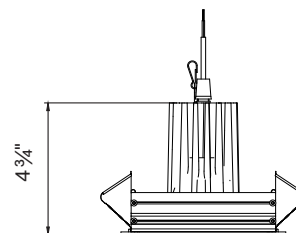
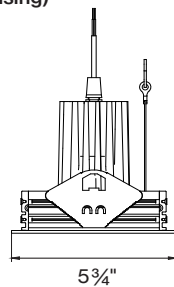
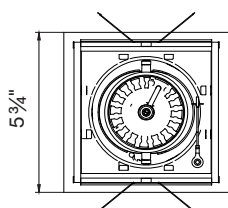
#### DOT-SQ RTL



#### DOT-SQ RTL (Trimless Remote Housing)



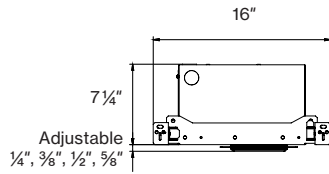
#### DOT-SQ RTL (w/ Trim Remote Housing)



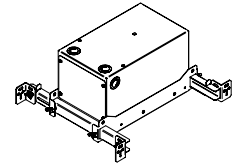
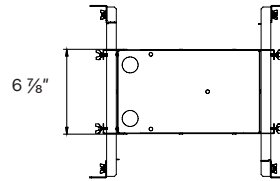
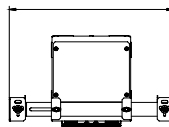
# DOT-SQ recessed

## MOUNTING INSTRUCTIONS

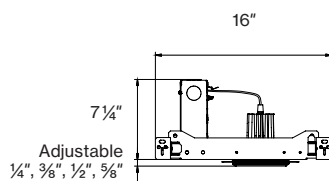
### Recessed trimless (IC-rated)



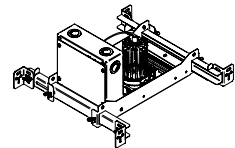
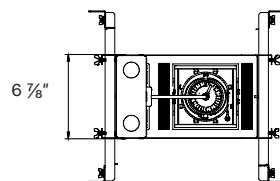
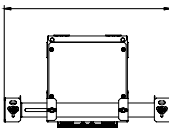
Adjustable 14" - 18"



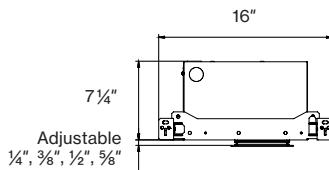
### Recessed trimless (non IC-rated)



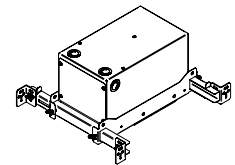
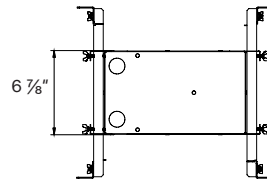
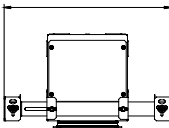
Adjustable 14" - 18"



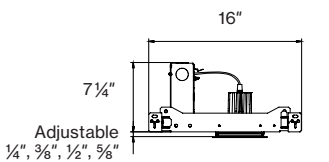
### Recessed w/ trim (IC-rated)



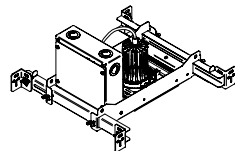
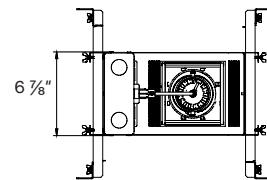
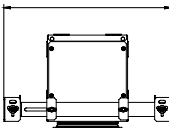
Adjustable 14" - 18"



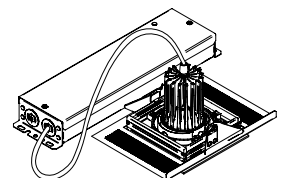
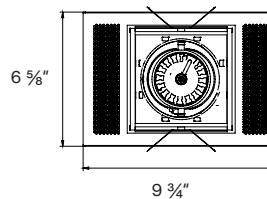
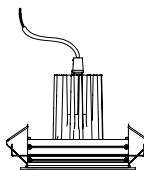
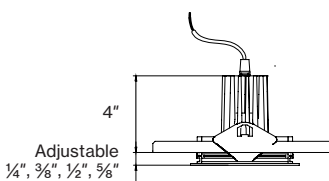
### Recessed w/ trim (non IC-rated)



Adjustable 14" - 18"



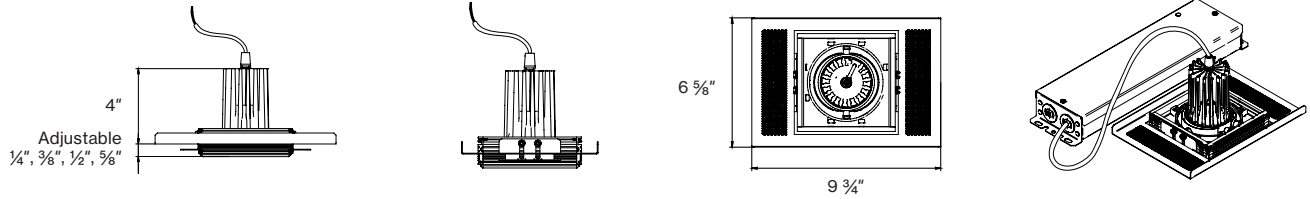
### Recessed w/ trim (Remote Housing)



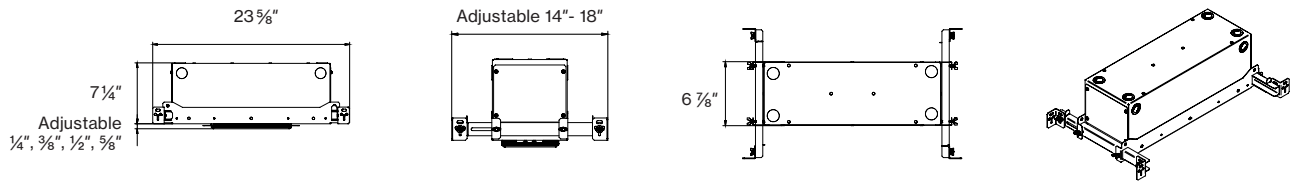
# DOT-SQ recessed

## MOUNTING INSTRUCTIONS

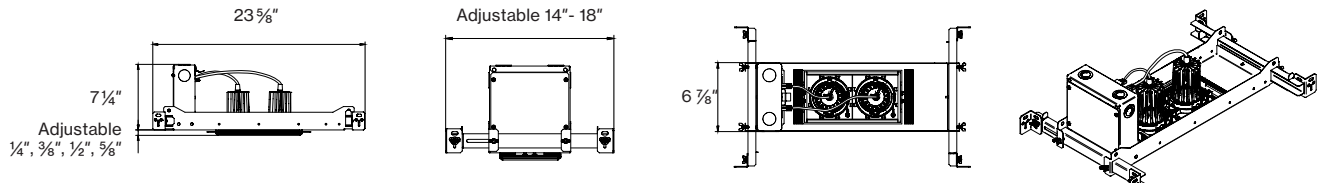
### Recessed w/ trimless (Remote Housing)



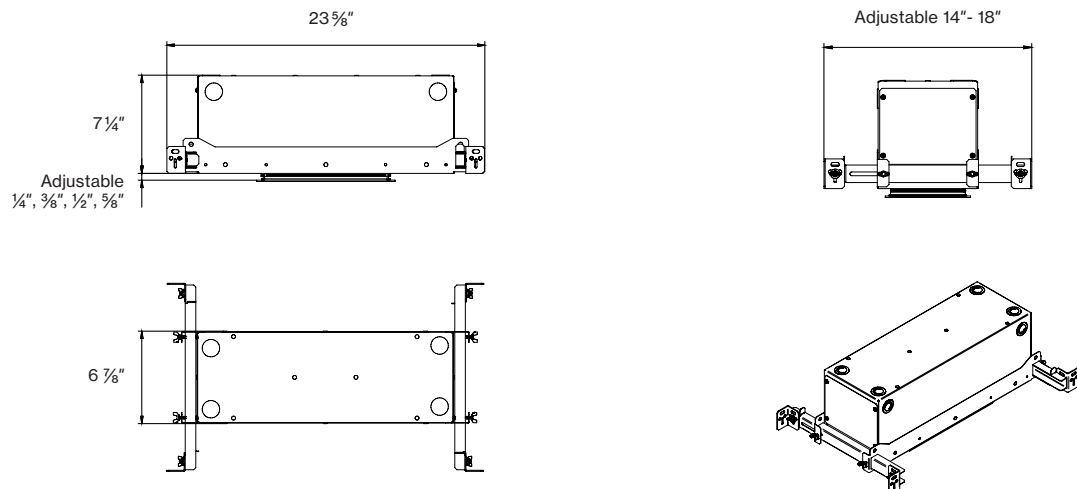
### Recessed trimless (IC-rated)



### Recessed trimless (non IC-rated)



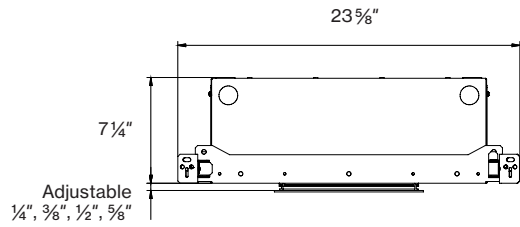
### Recessed w/ trim (IC-rated)



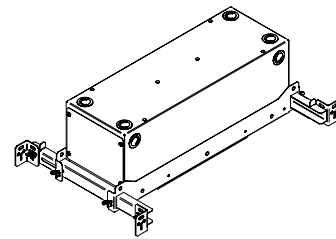
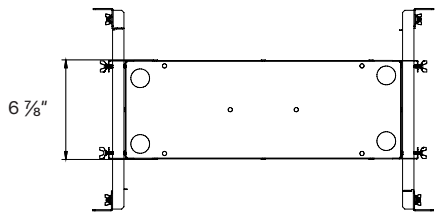
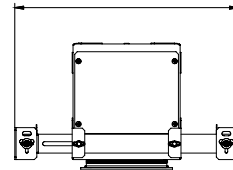
# DOT-SQ recessed

## MOUNTING INSTRUCTIONS

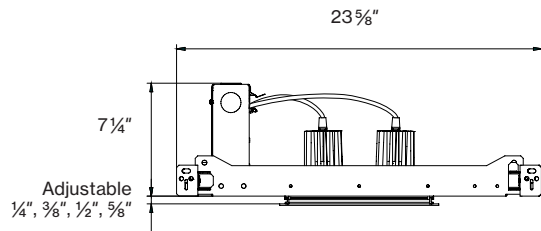
### Recessed w/ trim (IC-rated)



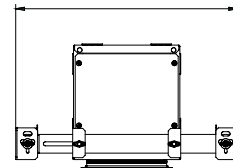
Adjustable 14" - 18"



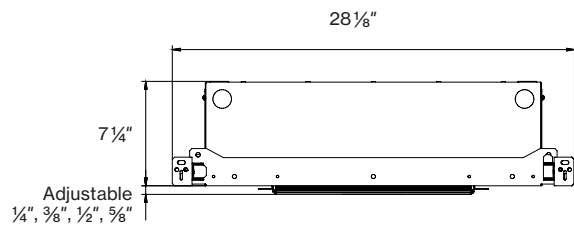
### Recessed w/ trim (non IC-rated)



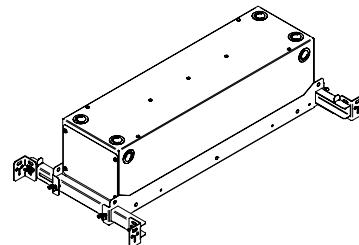
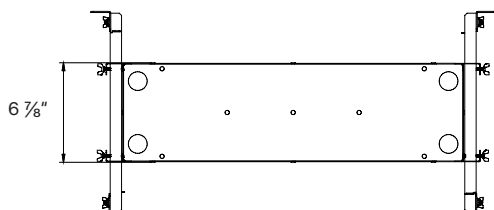
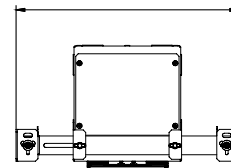
Adjustable 14" - 18"



### Recessed trimless (IC-rated)



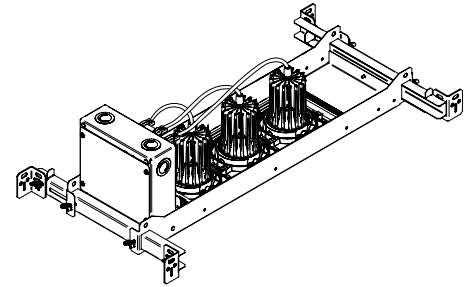
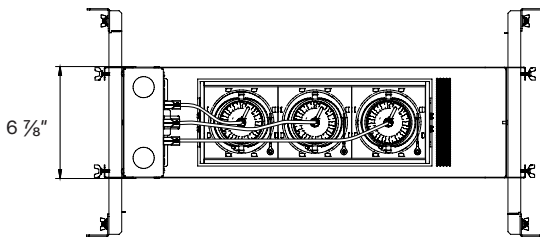
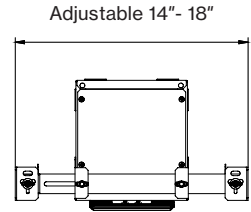
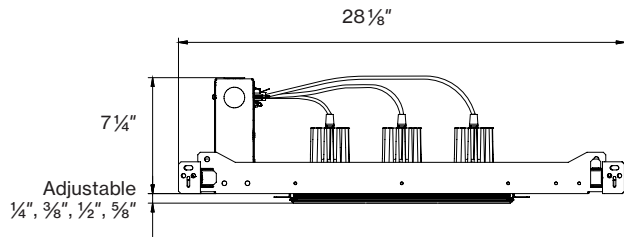
Adjustable 14" - 18"



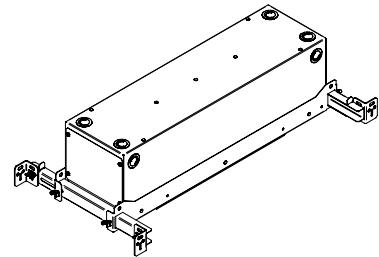
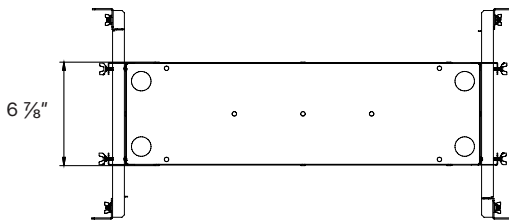
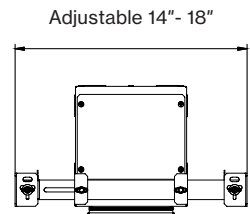
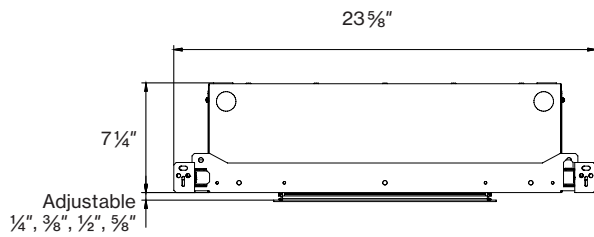
# DOT-SQ recessed

## MOUNTING INSTRUCTIONS

### Recessed trimless (non IC-rated)



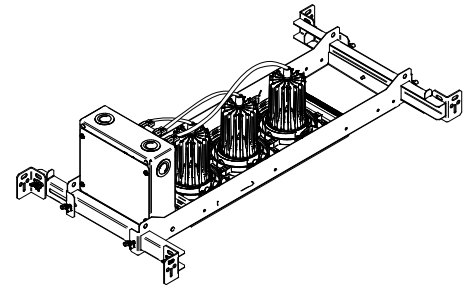
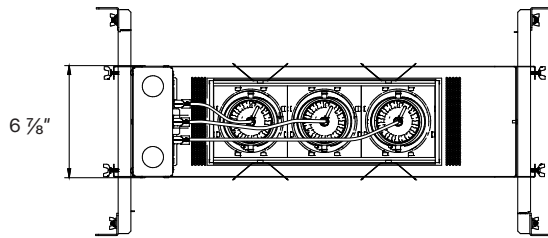
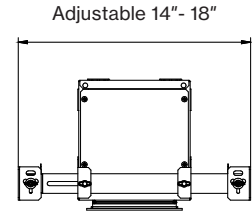
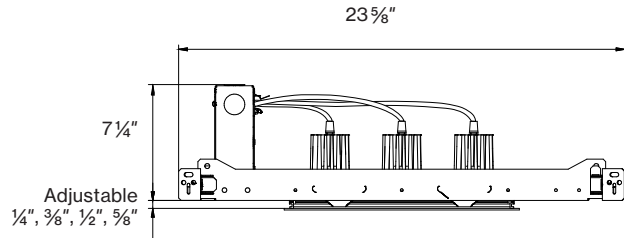
### Recessed w/ trim (IC-rated)



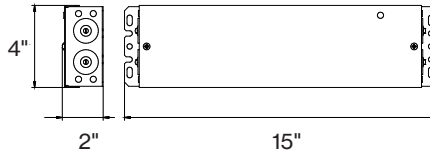
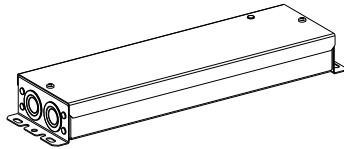
# DOT-SQ recessed

## MOUNTING INSTRUCTIONS

### Recessed w/ trim (non IC-rated)



### Power Supply

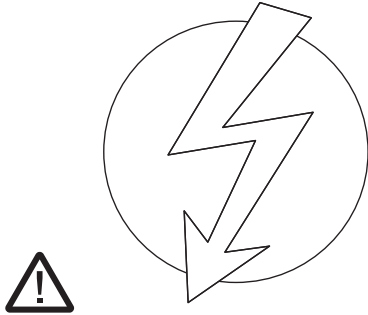


# DOT-SQ recessed

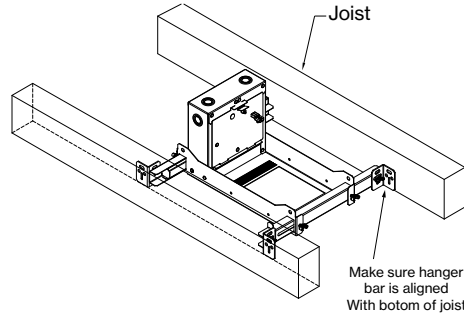
## MOUNTING INSTRUCTIONS

### Recessed w/ trim (non IC-rated)

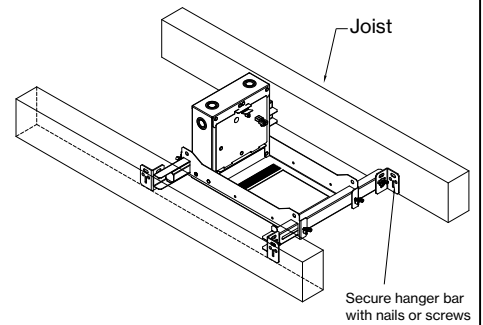
TURN OFF POWER SOURCE BEFORE INSTALLATION



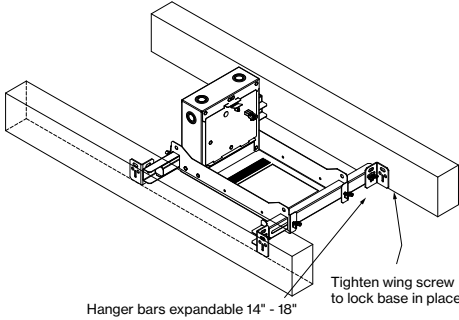
1. Place fixture in between joist and mark mounting points



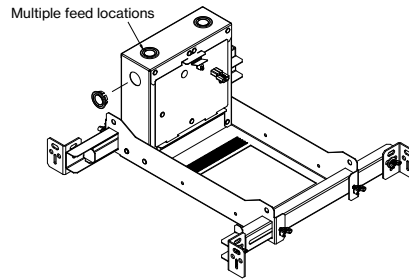
2. Secure hanger bar with screws Or nails not provided by us.



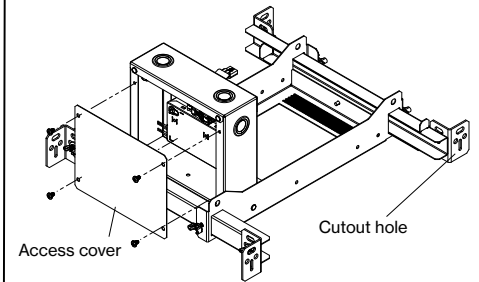
3. Center recessed box base to desired location.



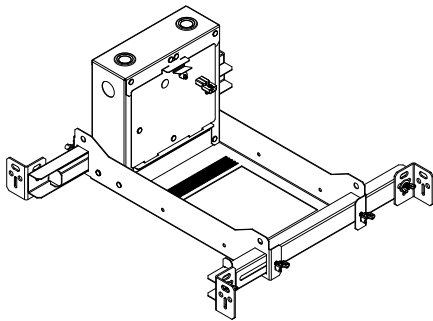
4. Remove knockout and install Power feed cable (ceiling not pictured)



5. Connect wiring to source by removing access cover.



6. Wire driver to source and close access cover (Refer to wiring diagram on pg. 13).



7a. Install frame (trimless option) cut out dimensions.

#### TRIMLESS OPTION

Cut out hole according to the cutout dimensions for your lamp



Lamp cutout dimensions

DOT-S Ø 5 1/16"	TRIMLESS Ø 5 5/16"
DOT-S Ø 5 1/16"	OFFSET TRIMLESS Ø 5 5/16"

7b. Install frame (trim option) cut out dimensions.

#### TRIM OPTION

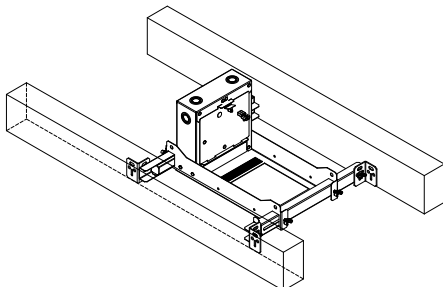
Cut out hole according to the cutout dimensions for your lamp



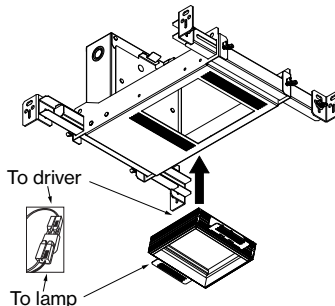
Lamp cutout dimensions

DOT-S Ø 5 3/4"	TRIMLESS Ø 5 5/16"
DOT-S Ø 5 3/4"	OFFSET TRIMLESS Ø 5 5/16"

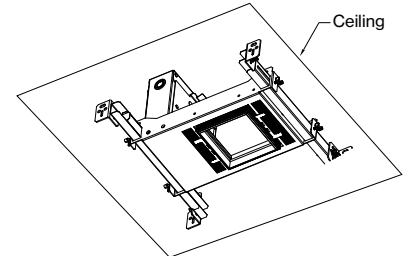
8. Position dots housing above cutout hole.



9. Option trimless: screw The mounting frame into cutout hole.



10. Option trimless mounting frame.

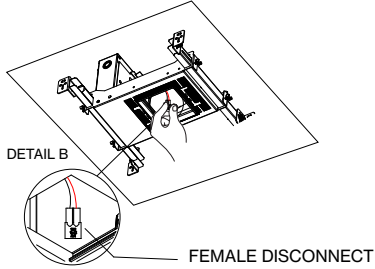


# DOT-SQ recessed

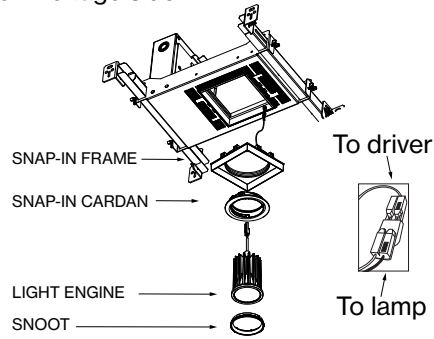
## MOUNTING INSTRUCTIONS

### Recessed w/ trim (non IC-rated)

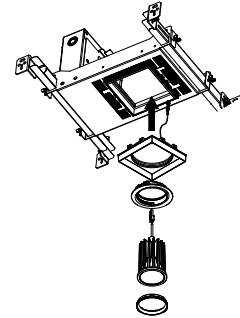
11. Using your hands pull driver cable through. Ensure orange female disconnect is on converter side.



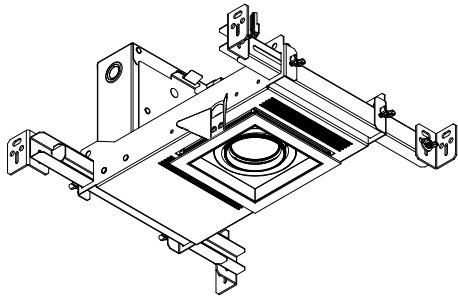
12. Connect fall protection and low voltage side.



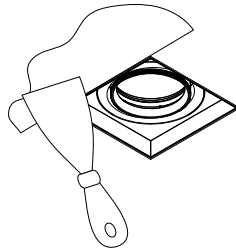
13. Insert lamp by snapping in frame and cardan, followed by light engine and lastly screw in the snoot.



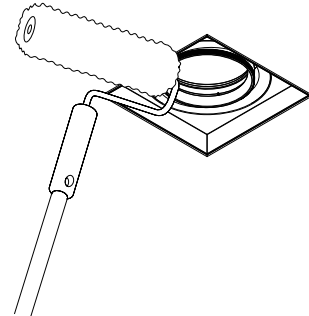
14. Turn and tilt range to desired location (Spotlight 360° rotatable and 35° tiltable)



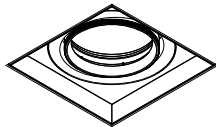
15. Spackle around the fixture.



16. Paint over spackle.



17. Installation complete

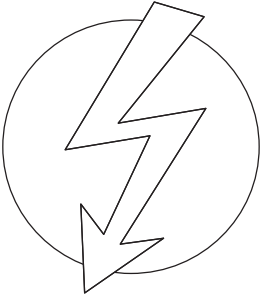

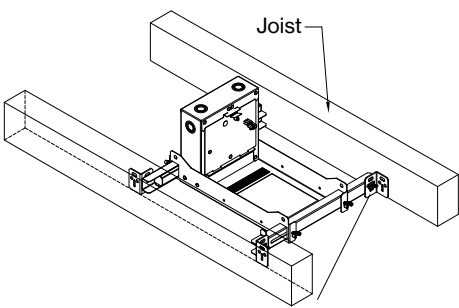
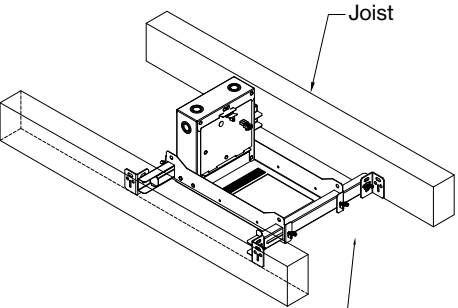
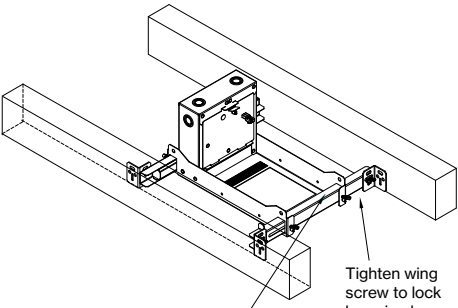
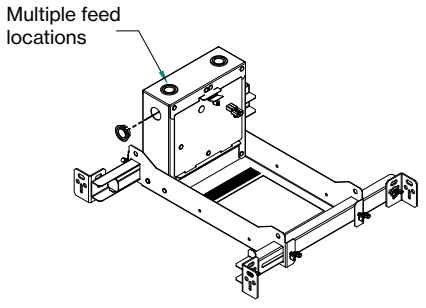
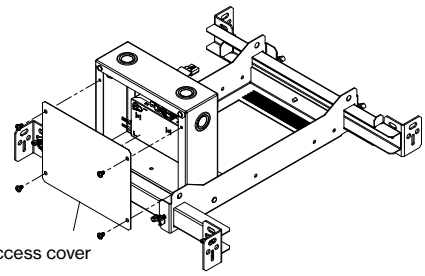
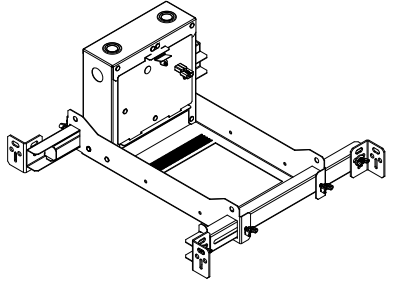


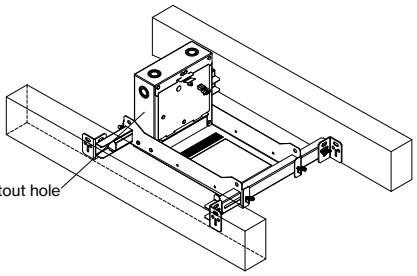
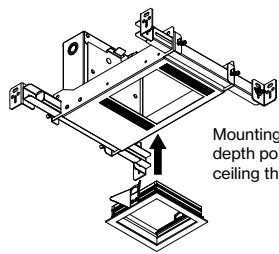
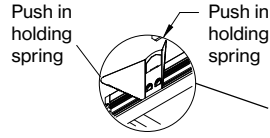
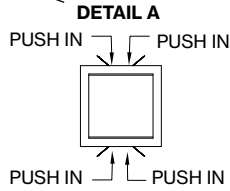




# DOT-SQ recessed

## MOUNTING INSTRUCTIONS

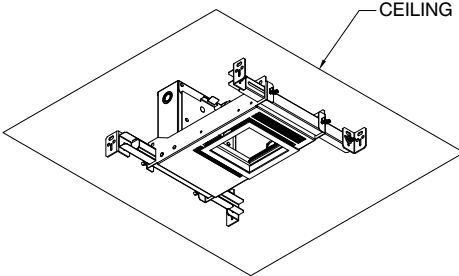
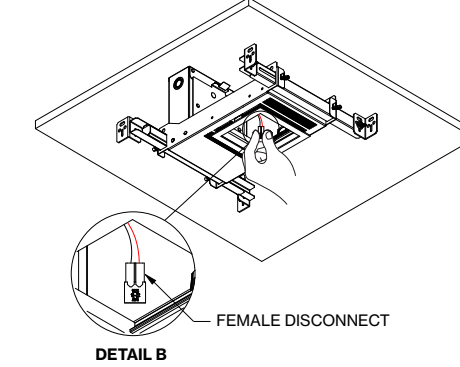
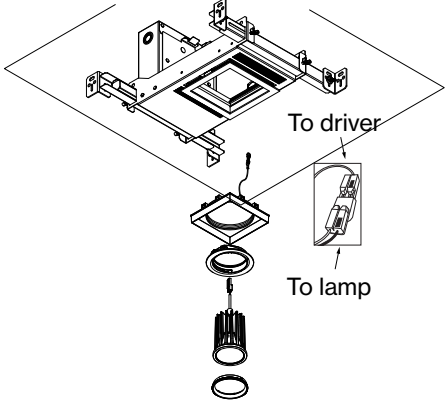
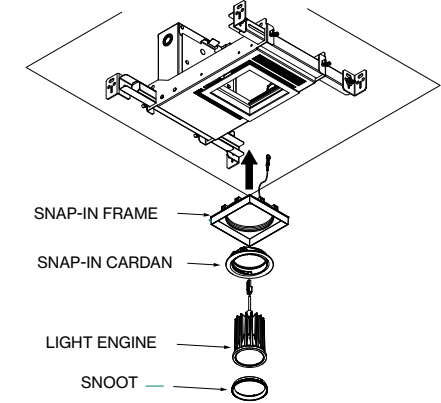
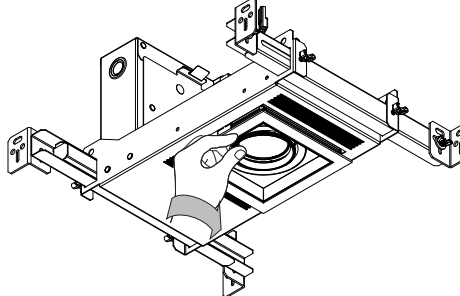
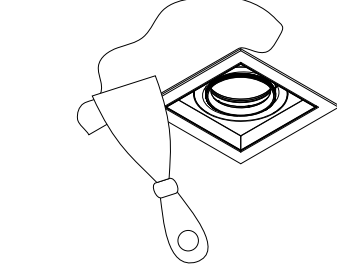
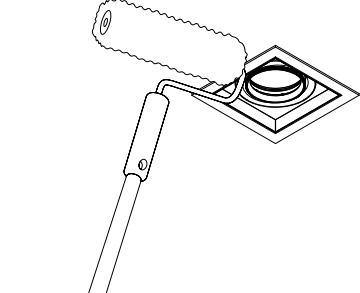
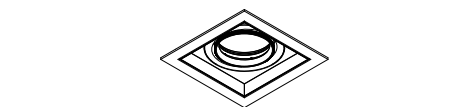
### Recessed trimless (non IC-rated)

<p>TURN OFF POWER SOURCE BEFORE INSTALLATION</p>  	<p>1. Place fixture in between joist And mark mounting points</p>  <p>Make sure hanger bar is aligned With bottom of joist</p>	<p>2. Secure hanger bar with screws Or nails not provided by us</p>  <p>Secure hanger bar with nails or screws</p>								
<p>3. Center recessed box base to desired location</p>  <p>Tighten wing screw to lock base in place</p> <p>Hanger bars expandable 14" - 18"</p>	<p>4. Remove knockout and install Power feed cable (ceiling not pictured)</p>  <p>Multiple feed locations</p>	<p>5. Connect wiring to source by removing access cover.</p>  <p>Access cover</p>								
<p>6. Wire driver to source and close access cover (refer to wiring diagram on pg. 13)</p> 	<p>7a. Install frame (trimless option) cut out dimensions</p> <div style="border: 1px solid black; padding: 5px; margin-bottom: 10px;"> <p><b>TRIMLESS OPTION</b></p> <p>Cut out hole according to the cutout dimensions for your lamp</p>  </div> <p>Lamp cutout dimensions</p> <table border="1" style="width: 100%; border-collapse: collapse;"> <tr> <td style="padding: 2px;">DOT-S Ø 5 1/16"</td> <td style="padding: 2px;">TRIMLESS Ø 5 1/16"</td> </tr> <tr> <td style="padding: 2px;">DOT-S Ø 5 1/16"</td> <td style="padding: 2px;">OFFSET TRIMLESS Ø 5 1/16"</td> </tr> </table>	DOT-S Ø 5 1/16"	TRIMLESS Ø 5 1/16"	DOT-S Ø 5 1/16"	OFFSET TRIMLESS Ø 5 1/16"	<p>7b. Install frame (trim option) cut out dimensions</p> <div style="border: 1px solid black; padding: 5px; margin-bottom: 10px;"> <p><b>TRIM OPTION</b></p> <p>Cut out hole according to the cutout dimensions for your lamp</p>  </div> <p>Lamp cutout dimensions</p> <table border="1" style="width: 100%; border-collapse: collapse;"> <tr> <td style="padding: 2px;">DOT-S Ø 5 3/4"</td> <td style="padding: 2px;">TRIM Ø 5 1/16"</td> </tr> <tr> <td style="padding: 2px;">DOT-S Ø 5 3/4"</td> <td style="padding: 2px;">OFFSET TRIM Ø 5 1/16"</td> </tr> </table>	DOT-S Ø 5 3/4"	TRIM Ø 5 1/16"	DOT-S Ø 5 3/4"	OFFSET TRIM Ø 5 1/16"
DOT-S Ø 5 1/16"	TRIMLESS Ø 5 1/16"									
DOT-S Ø 5 1/16"	OFFSET TRIMLESS Ø 5 1/16"									
DOT-S Ø 5 3/4"	TRIM Ø 5 1/16"									
DOT-S Ø 5 3/4"	OFFSET TRIM Ø 5 1/16"									
<p>8. Position dots housing above cutout hole</p>  <p>Cutout hole</p>	<p>9. Option with trim: insert the mounting frame into cutout hole</p>  <p>Mounting frame has four depth points to fit various ceiling thickness 1/4", 3/8", 1/2", 5/8"</p>	<p>10. Push the holding spring down to insert it into the frame.</p>  <p>Push in holding spring</p> <p>Push in holding spring</p> <p><b>DETAIL A</b></p>  <p>PUSH IN    PUSH IN</p> <p>PUSH IN    PUSH IN</p>								

# DOT-SQ recessed

## MOUNTING INSTRUCTIONS

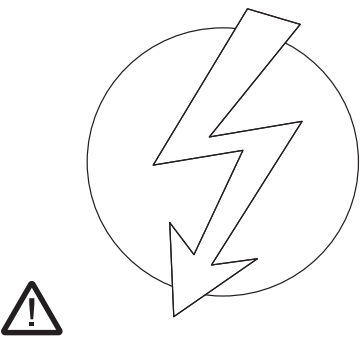


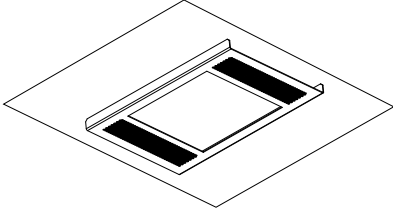
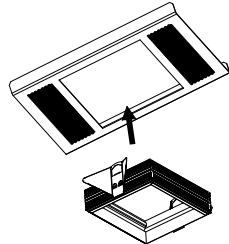
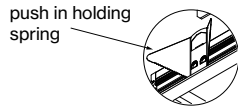
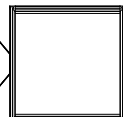
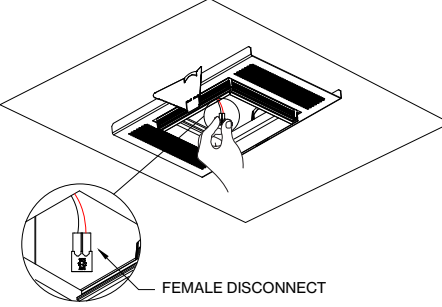
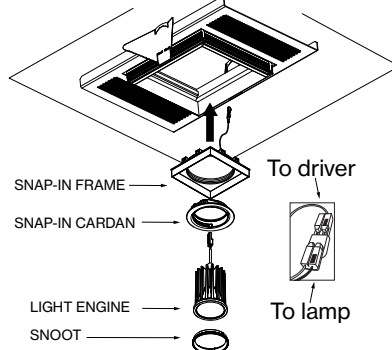
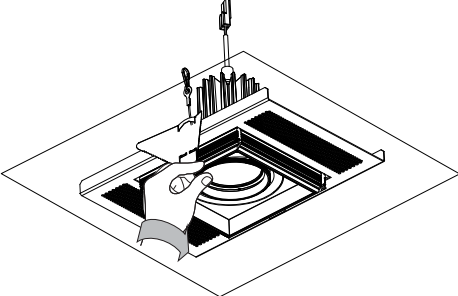
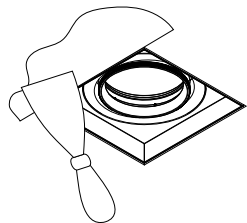
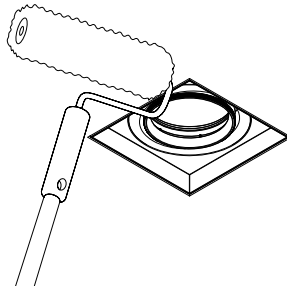

### Recessed trimless (non IC-rated)

<p>11. Option with trim mounting frame</p>  <p>CEILING</p>	<p>11. Using your hands pull driver cable through. Ensure orange female disconnect is on converter side</p>  <p>FEMALE DISCONNECT</p> <p>DETAIL B</p>	<p>12. Connect fall protection and low voltage side</p>  <p>To driver</p> <p>To lamp</p>
<p>13. Insert lamp by snapping in frame and cardan, followed by light engine and lastly screw in the snoot</p>  <p>SNAP-IN FRAME</p> <p>SNAP-IN CARDAN</p> <p>LIGHT ENGINE</p> <p>SNOOT</p>	<p>14. Turn and tilt range to desired location (spotlight 360° rotatable and 35° tiltable)</p> 	<p>15. Spackle around the fixture.</p> 
<p>16. Paint over spackle.</p> 	<p>17. Installation complete</p> 	

# DOT-SQ recessed

## MOUNTING INSTRUCTIONS

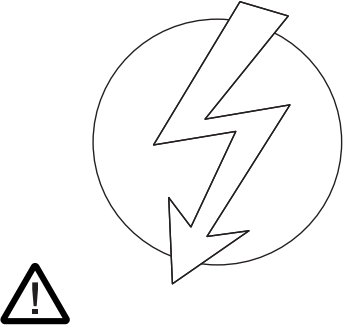


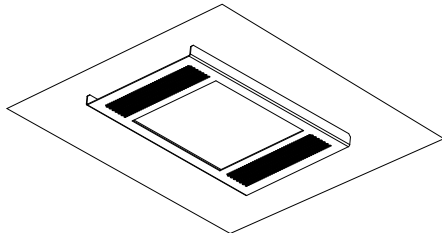
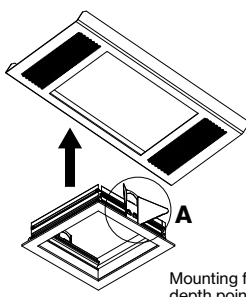
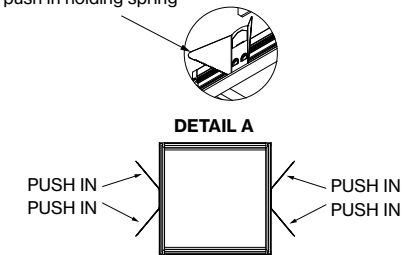
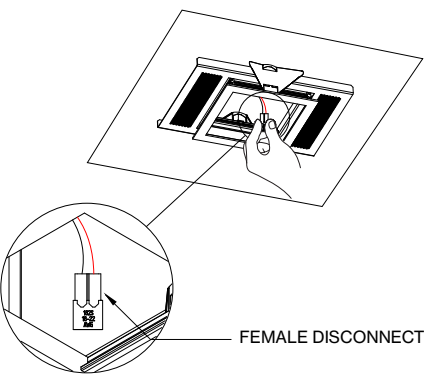
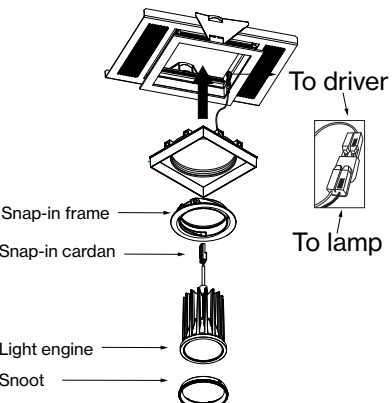
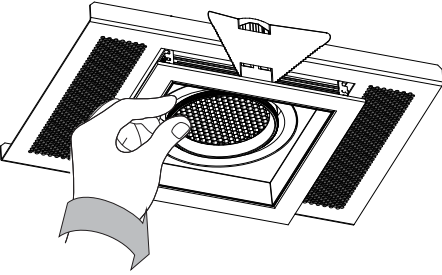
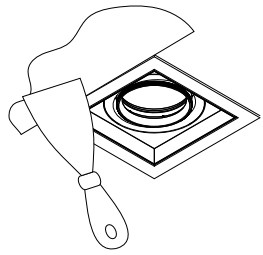
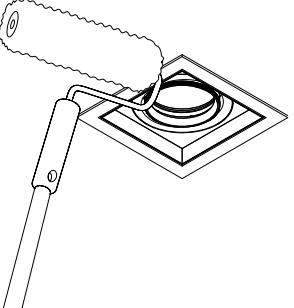

### Remote Housing (Trimless)

<p>TURN OFF POWER SOURCE BEFORE INSTALLATION</p> 	<p>1A. install frame (trimless option) Cut out dimensions</p> <div data-bbox="625 325 974 483"> <p><b>TRIMLESS OPTION</b></p>  <p>Cut out hole according to the cutout dimensions for your lamp</p> </div> <p>Lamp cutout dimensions</p> <table border="1" data-bbox="625 525 974 651"> <tr> <td>DOT-S Ø 4<sup>3</sup>/<sub>16</sub>"</td> <td>TRIMLESS Ø 4<sup>3</sup>/<sub>16</sub>"</td> </tr> <tr> <td>DOT-S Ø 4<sup>3</sup>/<sub>16</sub>"</td> <td>OFFSET TRIMLESS Ø 4<sup>3</sup>/<sub>16</sub>"</td> </tr> </table>	DOT-S Ø 4 <sup>3</sup> / <sub>16</sub> "	TRIMLESS Ø 4 <sup>3</sup> / <sub>16</sub> "	DOT-S Ø 4 <sup>3</sup> / <sub>16</sub> "	OFFSET TRIMLESS Ø 4 <sup>3</sup> / <sub>16</sub> "	<p>1B. Install frame (trim option) Cut out dimensions</p> <div data-bbox="1112 325 1461 483"> <p><b>TRIM OPTION</b></p>  <p>Cut out hole according to the cutout dimensions for your lamp</p> </div> <p>Lamp cutout dimensions</p> <table border="1" data-bbox="1112 525 1461 651"> <tr> <td>DOT-S Ø 4<sup>5</sup>/<sub>16</sub>"</td> <td>TRIMLESS Ø 4<sup>3</sup>/<sub>16</sub>"</td> </tr> <tr> <td>DOT-S Ø 4<sup>5</sup>/<sub>16</sub>"</td> <td>OFFSET TRIMLESS Ø 4<sup>3</sup>/<sub>16</sub>"</td> </tr> </table>	DOT-S Ø 4 <sup>5</sup> / <sub>16</sub> "	TRIMLESS Ø 4 <sup>3</sup> / <sub>16</sub> "	DOT-S Ø 4 <sup>5</sup> / <sub>16</sub> "	OFFSET TRIMLESS Ø 4 <sup>3</sup> / <sub>16</sub> "
DOT-S Ø 4 <sup>3</sup> / <sub>16</sub> "	TRIMLESS Ø 4 <sup>3</sup> / <sub>16</sub> "									
DOT-S Ø 4 <sup>3</sup> / <sub>16</sub> "	OFFSET TRIMLESS Ø 4 <sup>3</sup> / <sub>16</sub> "									
DOT-S Ø 4 <sup>5</sup> / <sub>16</sub> "	TRIMLESS Ø 4 <sup>3</sup> / <sub>16</sub> "									
DOT-S Ø 4 <sup>5</sup> / <sub>16</sub> "	OFFSET TRIMLESS Ø 4 <sup>3</sup> / <sub>16</sub> "									
<p>2. Option REM mounting: position DOT-S housing above cutout hole</p> 	<p>3. Option with trim: insert the mounting frame into cutout hole</p>  <p>mounting frame has four depth points to fit various ceiling thickness ¼", ⅜", ½", ⅝"</p>	<p>4. Push the holding springs down to insert it into the frame.</p>  <p>push in holding spring</p> <div data-bbox="1136 903 1502 1050"> <p><b>DETAIL A</b></p>  </div>								
<p>5. Using your hands pull remote driver cable through. Ensure orange female disconnect is on converter side</p>  <p>FEMALE DISCONNECT</p>	<p>6. Insert lamp by snapping in frame and Cardan, followed by light engine and lastly Screw in the snoot</p>  <p>SNAP-IN FRAME → To driver</p> <p>SNAP-IN CARDAN → To lamp</p> <p>LIGHT ENGINE →</p> <p>SNOOT →</p>	<p>7. Turn and tilt range to desired location (spotlight 360° rotatable and 35° tiltable)</p> 								
<p>8. Spackle around the fixture.</p> 	<p>9. Paint over spackle.</p> 	<p>10. Installation complete</p> 								

# DOT-SQ recessed

## MOUNTING INSTRUCTIONS

### Remote Housing (Trim)

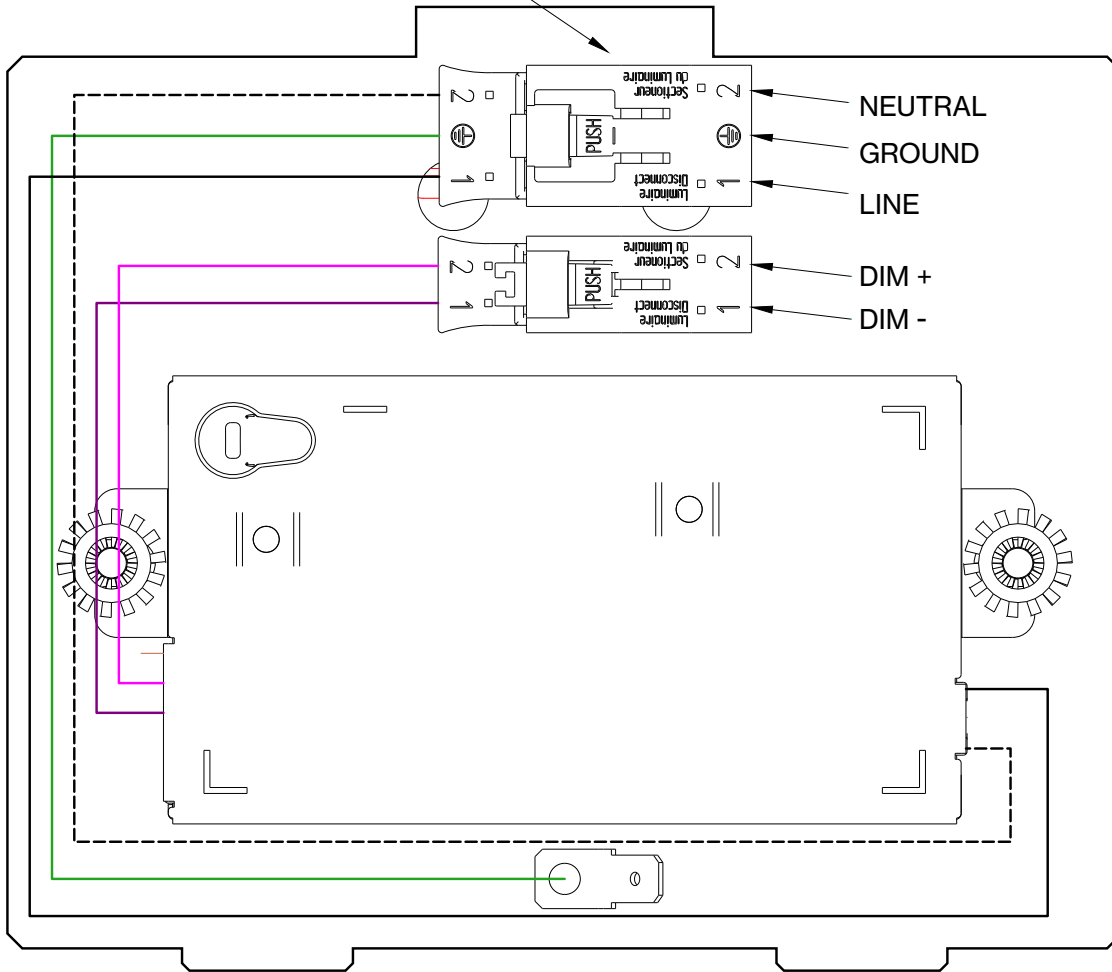
<p>TURN OFF POWER SOURCE BEFORE INSTALLATION</p> 	<p>1A. Install frame (trimless option) Cut out dimensions</p> <div data-bbox="630 346 971 493" style="border: 1px solid black; padding: 5px;"> <p><b>TRIMLESS OPTION</b></p> <p>Cut out hole according to the cutout dimensions for your lamp</p>  </div> <p>Lamp cutout dimensions</p> <table border="1" data-bbox="630 541 977 661"> <tr> <td>DOT-S Ø 4<sup>3</sup>/<sub>16</sub>"</td> <td>TRIMLESS Ø 4<sup>3</sup>/<sub>16</sub>"</td> </tr> <tr> <td>DOT-S Ø 4<sup>3</sup>/<sub>16</sub>"</td> <td>OFFSET TRIMLESS Ø 4<sup>3</sup>/<sub>16</sub>"</td> </tr> </table>	DOT-S Ø 4 <sup>3</sup> / <sub>16</sub> "	TRIMLESS Ø 4 <sup>3</sup> / <sub>16</sub> "	DOT-S Ø 4 <sup>3</sup> / <sub>16</sub> "	OFFSET TRIMLESS Ø 4 <sup>3</sup> / <sub>16</sub> "	<p>1B. Install frame (trim option) Cut out dimensions</p> <div data-bbox="1105 346 1446 493" style="border: 1px solid black; padding: 5px;"> <p><b>TRIM OPTION</b></p> <p>Cut out hole according to the cutout dimensions for your lamp</p>  </div> <p>Lamp cutout dimensions</p> <table border="1" data-bbox="1105 541 1453 661"> <tr> <td>DOT-S Ø 4<sup>3</sup>/<sub>16</sub>"</td> <td>TRIMLESS Ø 4<sup>3</sup>/<sub>16</sub>"</td> </tr> <tr> <td>DOT-S Ø 4<sup>3</sup>/<sub>16</sub>"</td> <td>OFFSET TRIMLESS Ø 4<sup>3</sup>/<sub>16</sub>"</td> </tr> </table>	DOT-S Ø 4 <sup>3</sup> / <sub>16</sub> "	TRIMLESS Ø 4 <sup>3</sup> / <sub>16</sub> "	DOT-S Ø 4 <sup>3</sup> / <sub>16</sub> "	OFFSET TRIMLESS Ø 4 <sup>3</sup> / <sub>16</sub> "
DOT-S Ø 4 <sup>3</sup> / <sub>16</sub> "	TRIMLESS Ø 4 <sup>3</sup> / <sub>16</sub> "									
DOT-S Ø 4 <sup>3</sup> / <sub>16</sub> "	OFFSET TRIMLESS Ø 4 <sup>3</sup> / <sub>16</sub> "									
DOT-S Ø 4 <sup>3</sup> / <sub>16</sub> "	TRIMLESS Ø 4 <sup>3</sup> / <sub>16</sub> "									
DOT-S Ø 4 <sup>3</sup> / <sub>16</sub> "	OFFSET TRIMLESS Ø 4 <sup>3</sup> / <sub>16</sub> "									
<p>2. Option REM mounting: position DOT-S housing above cutout hole</p> 	<p>3. Option with trim: insert the mounting frame into cutout hole</p>  <p>Mounting frame has four depth points to fit various ceiling thickness ¼", ⅜", ½", ⅝"</p>	<p>4. Push the holding spring down to insert it into the frame.</p> <p>push in holding spring</p>  <p><b>DETAIL A</b></p> <p>PUSH IN PUSH IN PUSH IN PUSH IN</p>								
<p>4. Using your hands pull remote driver cable through. Ensure orange female disconnect is on converter side</p>  <p>FEMALE DISCONNECT</p>	<p>4. Insert lamp by snapping in frame and Cardan, followed by light engine and lastly Screw in the snoot</p>  <p>To driver</p> <p>To lamp</p> <p>Snap-in frame</p> <p>Snap-in cardan</p> <p>Light engine</p> <p>Snoot</p>	<p>6. Turn and tilt range to desired location (Spotlight 360° rotatable and 35° tiltable)</p> 								
<p>7. Spackle around the fixture.</p> 	<p>8. Paint over spackle.</p> 	<p>9. Installation complete</p> 								

# DOT-SQ recessed

## MOUNTING INSTRUCTIONS

### WIRING DIAGRAM

Connect driver to power source



## Technical Support Hotline

Call the Technical Support Hotline from Monday to Friday, 8 AM - 6 PM (EST)

Hotline:  
**+1 203 262 9990**

Or 24/7 via email:  
**support@basolighting.com**

**EN** Installation, commissioning and maintenance may only be performed by authorized and qualified personnel, taking into consideration these installation instructions and any standards and regulations applicable to the respective area of application. The electrical, mechanical and thermal suitability of the luminaire for the intended area of application must be ensured and the secure fastening of the luminaire after its installation must be controlled. Turn off supply voltage before replacing any lamps (if applicable) as well as before performing any other works on the luminaire (e.g. cleaning) and wait until luminaire and lamp have completely cooled off. Please refer to the installation notes of the lamp manufacturer when inserting, replacing and operating conventional lamps. Use a soft, damp cloth to clean the luminaire. To clean plastic components and reflectors, a standard pH neutral, alcohol-free, non-abrasive cleaning agent may also be used.

Keep these installation instructions in a safe place as reference for any future maintenance works.

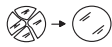
1. The lamp is not suitable for outdoor use.
2. The lamp may only be used with a safety guard.
3. Damaged protection glasses and covers have to be replaced immediately.
4. Corrosive chemical products must not be used as this may have a detrimental effect on the luminaire.
5. No liability is accepted for any subsequent change of the luminaire.
6. LEDs are high-quality electronic components! Please avoid touching by hand the LED light emitting surface while assembling or replacing parts and during maintenance work.
7. To avoid damage of the profile, unevenness on the wall or ceiling must be leveled out before assembling the profiles. While assembling the profiles, make sure they do not deform in order to guarantee their proper function.
8. The light source contained in this luminaire shall only be replaced by the manufacturer or his service agent or a similar qualified person.
9. The LED circuit must always be closed, before the converter is connected to the main power. BASO does not assume any liability for damages resulting from nonobservance of this rule.
10. Luminous flux and connected electrical load are subject to an initial tolerance of up to +/-10%. Color temperature is subject to a tolerance of up to +/- 150 Kelvin from the nominal value.

**FR** Le montage et la maintenance peut être effectué par spécialistes respectant les normes y règles valides. Assurer l'aptitude thermique, mécanique et électrique pour l'emploi prévu et assurer la fixation de la luminaires. Éteindre la tension avant de changer les lampes (si applicable) ou avant de réaliser travaux (p.ex nettoyage) à la luminaires. Attendre jusqu'à ce que la luminaires et les lampes ont fraîchit complètement. Merci de bien vouloir vous référer aux notes d'installation du fabricant de la lampe lors de l'insertion, le remplacement et la mise en route, avec des lampes conventionnelles. Pour nettoyer la luminaires utiliser un drap humide et doux. Pour nettoyer les parties du plastique ou les réflecteurs on peut utiliser encore un produit de nettoyage sans alcool qui ne fraye pas le material. Garder cette notice de montage pour possibles travaux de maintenance.

1. La luminaires n' est pas apte pour l'utilisation exterieur.
2. Utilizer la luminaires seulement avec un dispositif de sécurité.
3. Changer immédiatement des verres de sécurité defectes ou bien des écrans de protection.
4. Evitez tout contact de la lampe avec de produits chimiques corrosifs.
5. Nous déclinons toute responsabilité en cas de modifications ultérieures.
6. Des LEDs sont des composants électroniques de haute qualité! Eviter tout contact direct de la surface de sorti de lumière de la LED avec les mains lors du montage ou des les travaux de maintenance de la lampe.
7. Pour éviter l'endommagement du profil, il est nécessaire de compenser les irrégularités du mur ou du plafond avant le montage des profils. Pour garantir un fonctionnement irréprochable des profils, il ne faut pas déformer les profils lors du montage.
8. La source du luminaires peut être remplace uniquement par le fabricant ou un tiers habilité.
9. Il faut que le circuit de LED soit fermé avant de connecter le convertisseur. BASO ne assume pas la garantie si cette norme ne se respecte pas.
10. La puissance et le flux lumineux affichent d'origine une tolérance de +/-10%. Tolérance de la couleur de température : +/- 150 Kelvin.

**ES** La instalación, la puesta en marcha y el mantenimiento sólo deben realizarse por personal especializado considerando esta guía de instalación y todas las normas y reglamentaciones vigentes. Asegurarse de la aptitud eléctrica, mecánica y térmica de la luminaria para la aplicación prevista y comprobar la fijación segura de la luminaria después de su instalación. Apagar siempre la corriente antes de cambiar la lampara (en caso justificado) o de realizar algún otro trabajo en esta (p.ej. Limpieza). Esperar hasta que se enfrien la luminaria y la lampara completamente. Tener en cuenta las instrucciones de montaje del fabricante al colocar, cambiar y utilizar lamparas convencionales. Para la limpieza de la luminaria utilizar un paño suave y húmedo. Para limpiar componentes de plástico y reflectores puede usar también un limpiador pH neutral y sin alcohol que no roce el material. Guardar esta guía de instalación para trabajos de mantenimiento.

1. La luminaria no es apta para utilizarla en el exterior.
2. La luminaria solo debe accionar con un dispositivo de seguridad.
3. Cambie de inmediato los vidrios y las tapas de protección dañados.
4. Químicos que tienen efectos corrosivos no deben influir en la luminaria.
5. Para modificaciones futuras en la luminaria no se asume ninguna responsabilidad.
6. Los LED son componentes electrónicos de alta calidad! Por favor durante el montaje o el mantenimiento evite el contacto directo con la superficie de emisión.
7. Para evitar danos en el perfil, los desniveles de las paredes y techos deben ser enrasados antes del montaje de los perfiles. Para garantizar su buen funcionamiento, los perfiles no deben sufrir deformaciones durante el montaje.
8. La fuente luminosa contenida en esta luminaria debe ser reemplazada únicamente por el fabricante o su agente de servicio o similar persona cualificada.
9. El circuito LED debe ser cerrado antes de conectar el convertidor. BASO no asume garantía si esta norma no se respeta.
10. La potencia original y el flujo luminoso presentan una tolerancia de +/-10%. Tolerancia de temperatura de color: +/- 150 Kelvin.



The lamp may only be operated with its full protective cover!



L'apparecchio necessita del relativo vetro di protezione!

Sólo usar la luminaria con su cobertura de seguridad completa!



Recommended room temperature: 77 °F.

Temperatura ambiente raccomandata: 77 °F.

Température ambiante recommandée: 77 °F.



Don't touch the LED



Use gloves.

Use guantes.

Utiliser des gants.