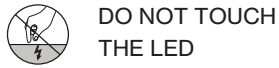


DOT-R recessed

MOUNTING INSTRUCTIONS

DO NOT DISCARD!

LEGEND OF THE SIGNS



TOOLS REQUIRED (not included)

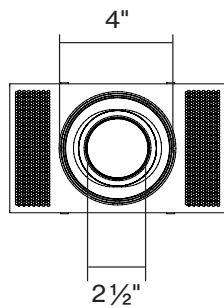


DOT-R Recessed

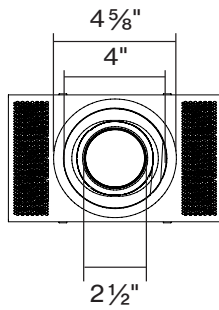


Dimensions

TRIMLESS

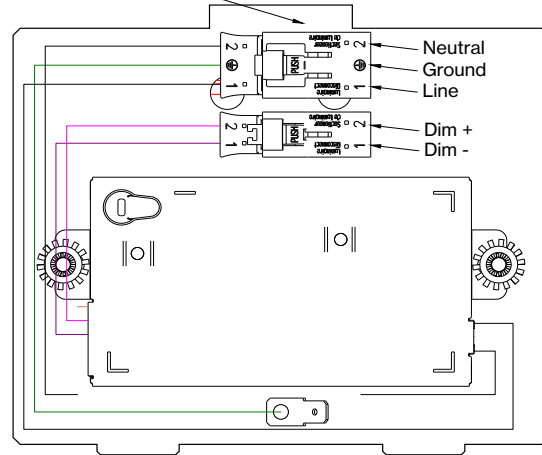


TRIM



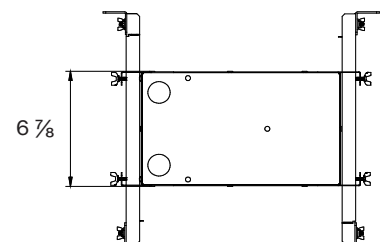
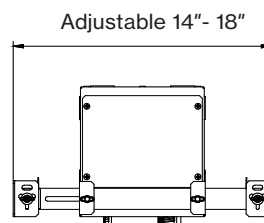
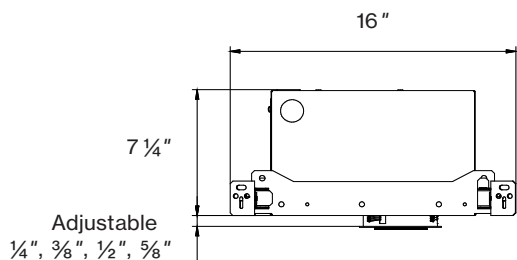
Wiring Diagram

Connect driver to power source



Additional Dimensions

Recessed w/ trim (IC-rated)

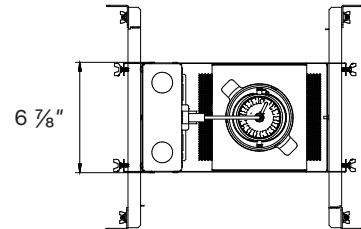
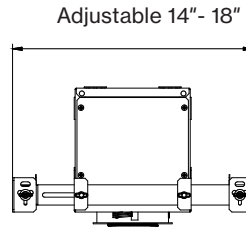
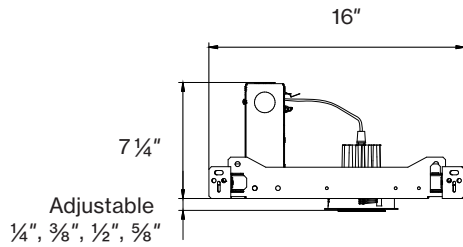


DOT-R recessed

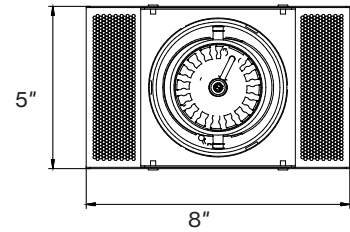
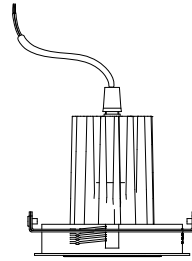
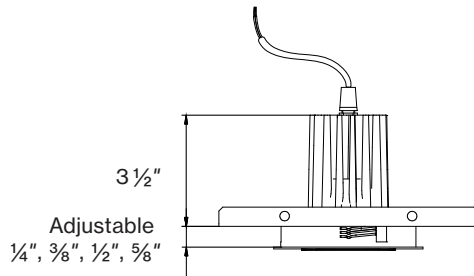
MOUNTING INSTRUCTIONS

Additional Dimensions

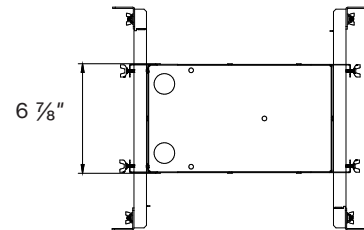
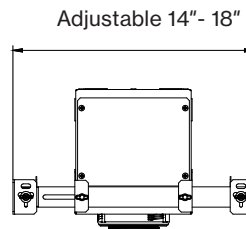
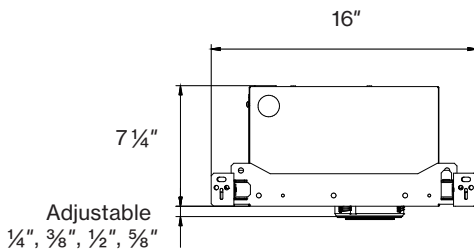
Recessed w/ trim (non IC-rated)



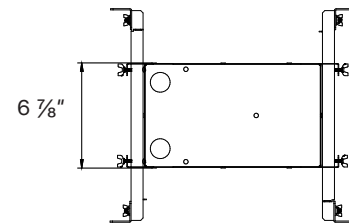
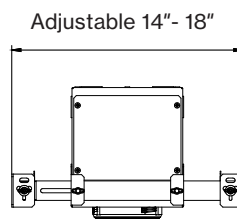
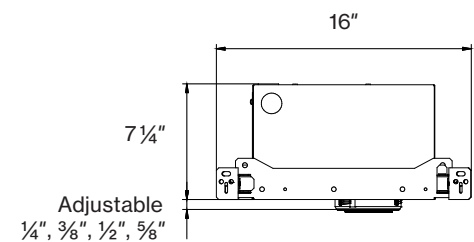
Recessed w/ trim (Remote Housing)



Recessed trimless (IC-rated)



Recessed trimless (IC-rated)

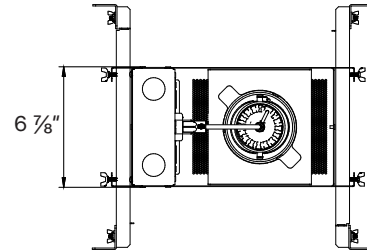
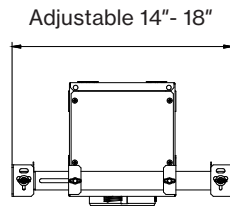
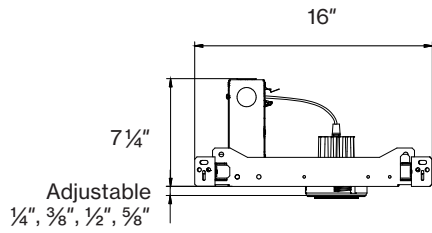


DOT-R recessed

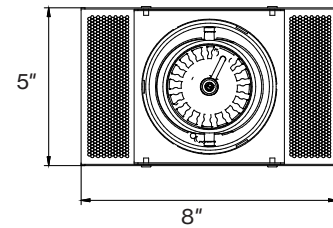
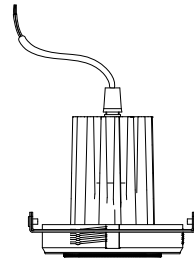
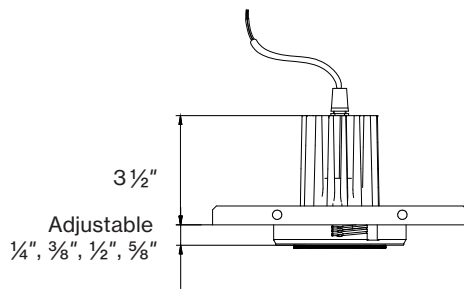
MOUNTING INSTRUCTIONS

Additional Dimensions

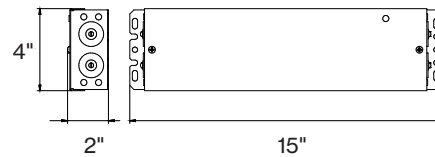
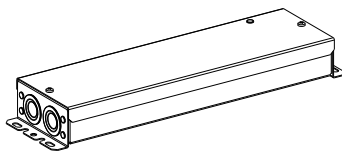
Recessed trimless (non IC-rated)



Recessed trimless (Remote Housing)



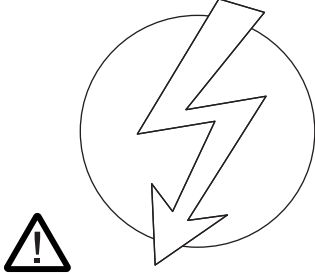
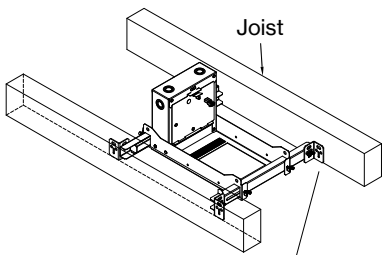
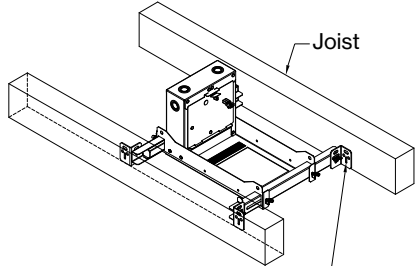
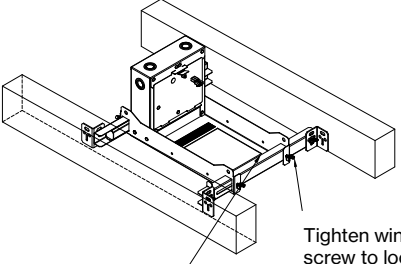
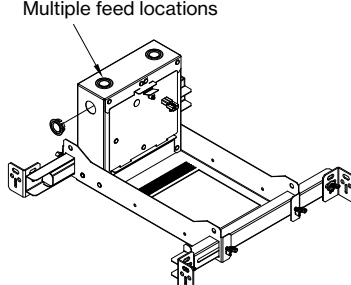
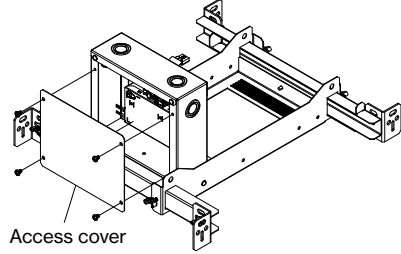
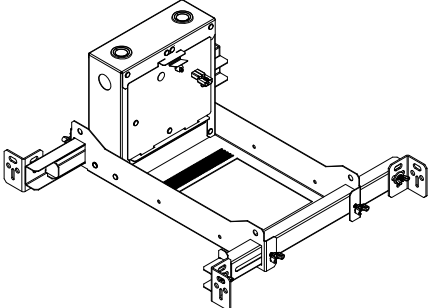


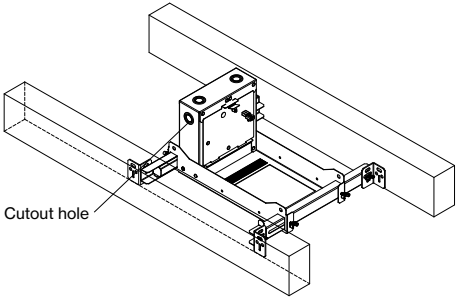
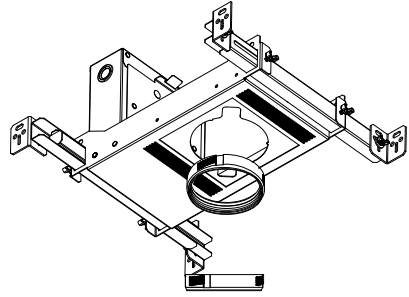
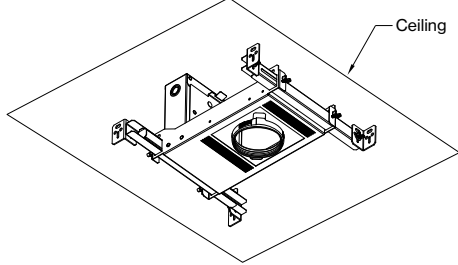
Power Supply



DOT-R recessed

MOUNTING INSTRUCTIONS

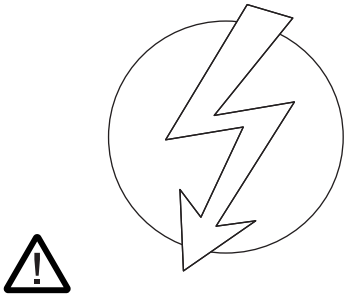
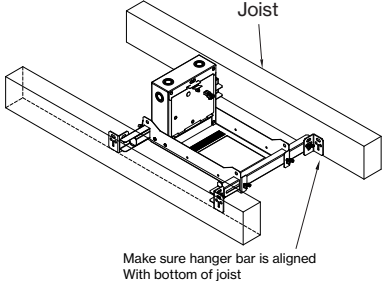
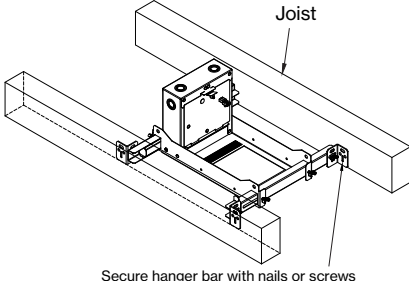
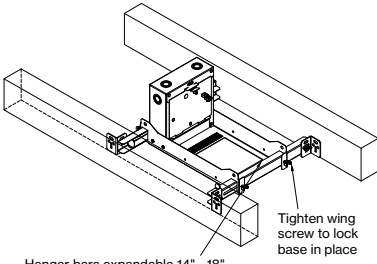
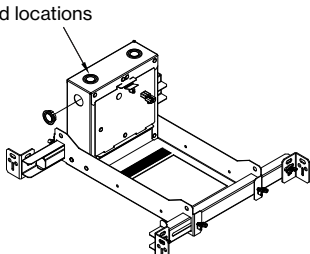
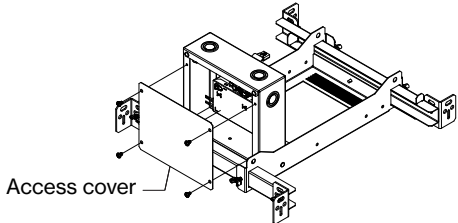
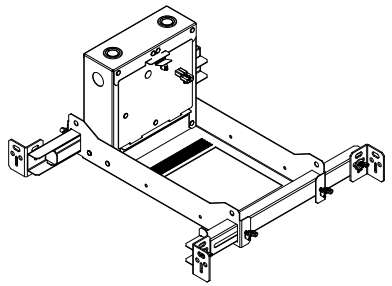


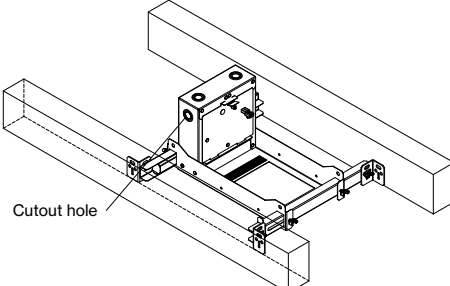
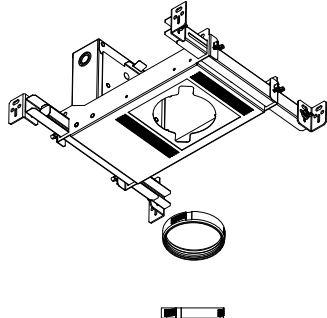
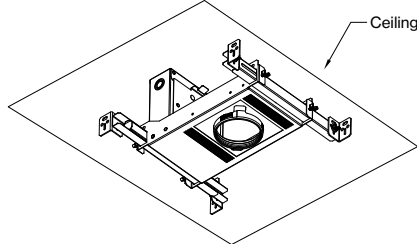
Recessed w/ trim (non IC-rated)

<p>TURN OFF POWER SOURCE BEFORE INSTALLATION</p> 	<p>1. Place fixture in between joist and mark mounting points</p>  <p>Make sure hanger bar is aligned With bottom of joist</p>	<p>2. Secure hanger bar with screws or nails not provided by us</p>  <p>Secure hanger bar with nails or screws</p>								
<p>3. Center recessed box base to desired location</p>  <p>Hanger bars expandable 14" - 18"</p>	<p>4. Remove knockout and install power feed cable (ceiling not pictured)</p> 	<p>5. Connect wiring to source by removing access cover.</p> 								
<p>6. Wire driver to source and close access cover (Refer to wiring diagram on pg. 1)</p> 	<p>7a. Install frame (trimless option) cut out dimensions</p> <div data-bbox="633 1123 966 1270"> <p>TRIMLESS OPTION</p>  <p>Cut out hole according to the cutout dimensions for your lamp</p> </div> <p>Lamp cutout dimensions</p> <table border="1" data-bbox="633 1312 966 1428"> <tr> <td>DOT-R Ø 5 1/16"</td> <td>TRIMLESS Ø 5 5/16"</td> </tr> <tr> <td>DOT-R Ø 5 1/16"</td> <td>OFFSET TRIMLESS Ø 5 5/16"</td> </tr> </table>	DOT-R Ø 5 1/16"	TRIMLESS Ø 5 5/16"	DOT-R Ø 5 1/16"	OFFSET TRIMLESS Ø 5 5/16"	<p>7b. Install frame (trim option) cut out dimensions</p> <div data-bbox="1128 1123 1461 1270"> <p>TRIM OPTION</p>  <p>Cut out hole according to the cutout dimensions for your lamp</p> </div> <p>Lamp cutout dimensions</p> <table border="1" data-bbox="1128 1312 1461 1428"> <tr> <td>DOT-R Ø 5 3/4"</td> <td>TRIM Ø 5 5/16"</td> </tr> <tr> <td>DOT-R Ø 5 3/4"</td> <td>OFFSET TRIM Ø 5 5/16"</td> </tr> </table>	DOT-R Ø 5 3/4"	TRIM Ø 5 5/16"	DOT-R Ø 5 3/4"	OFFSET TRIM Ø 5 5/16"
DOT-R Ø 5 1/16"	TRIMLESS Ø 5 5/16"									
DOT-R Ø 5 1/16"	OFFSET TRIMLESS Ø 5 5/16"									
DOT-R Ø 5 3/4"	TRIM Ø 5 5/16"									
DOT-R Ø 5 3/4"	OFFSET TRIM Ø 5 5/16"									
<p>8. Position dots housing above cutout hole</p> 	<p>9. Option trimless: screw the mounting frame into cutout hole</p> 	<p>10. Option trimless mounting frame</p> 								

DOT-R recessed

MOUNTING INSTRUCTIONS

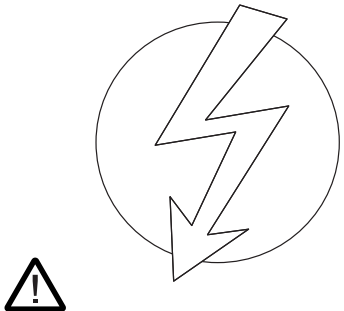


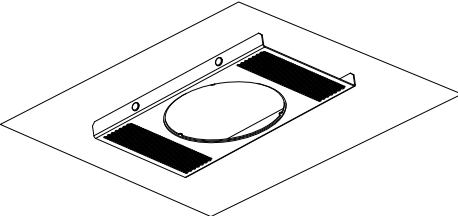
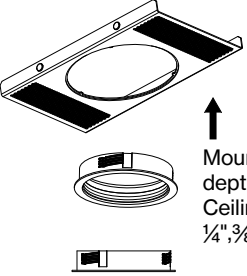
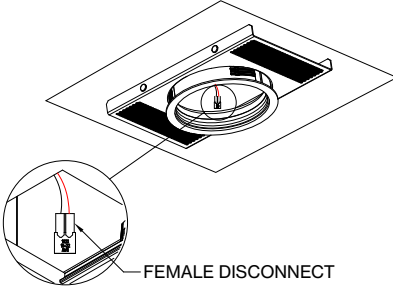
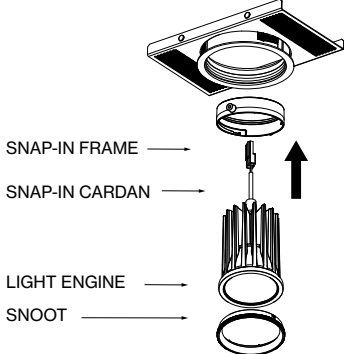
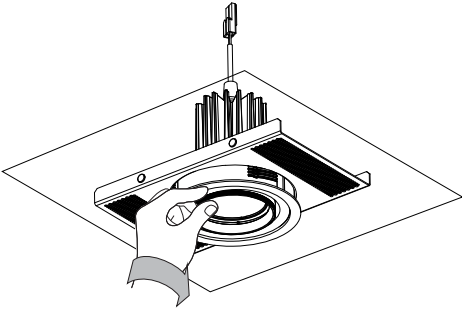
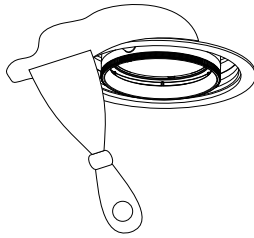
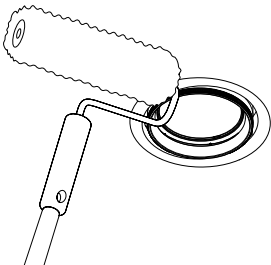

Recessed w/ trimless (non IC-rated)

<p>TURN OFF POWER SOURCE BEFORE INSTALLATION</p> 	<p>1. Place fixture in between joist And mark mounting points</p> 	<p>2. Secure hanger bar with screws Or nails not provided by us</p> 								
<p>3. Center recessed box base to Desired location</p> 	<p>4. Remove knockout and install Power feed cable (ceiling not pictured)</p> <p>Multiple feed locations</p> 	<p>5. Connect wiring to source by Removing access cover.</p> 								
<p>6. Wire driver to source and close access cover (Refer to wiring diagram pg. 1)</p> 	<p>7a. Install frame (trimless option) Cut out dimensions</p> <div style="border: 1px solid black; padding: 5px; margin-bottom: 10px;"> <p>TRIMLESS OPTION</p> <p>Cut out hole according to the cutout dimensions for your lamp</p>  </div> <p>Lamp cutout dimensions</p> <table border="1" style="width: 100%; border-collapse: collapse;"> <tr> <td style="padding: 2px;">DOT-R Ø 4 3/16"</td> <td style="padding: 2px;">TRIMLESS Ø 4 3/16"</td> </tr> <tr> <td style="padding: 2px;">DOT-R Ø 4 3/16"</td> <td style="padding: 2px;">OFFSET TRIMLESS Ø 4 3/16"</td> </tr> </table>	DOT-R Ø 4 3/16"	TRIMLESS Ø 4 3/16"	DOT-R Ø 4 3/16"	OFFSET TRIMLESS Ø 4 3/16"	<p>7b. Install frame (trim option) Cut out dimensions</p> <div style="border: 1px solid black; padding: 5px; margin-bottom: 10px;"> <p>TRIM OPTION</p> <p>Cut out hole according to the cutout dimensions for your lamp</p>  </div> <p>Lamp cutout dimensions</p> <table border="1" style="width: 100%; border-collapse: collapse;"> <tr> <td style="padding: 2px;">DOT-R Ø 4 3/16"</td> <td style="padding: 2px;">TRIM Ø 4 3/16"</td> </tr> <tr> <td style="padding: 2px;">DOT-R Ø 4 3/16"</td> <td style="padding: 2px;">OFFSET TRIM Ø 4 3/16"</td> </tr> </table>	DOT-R Ø 4 3/16"	TRIM Ø 4 3/16"	DOT-R Ø 4 3/16"	OFFSET TRIM Ø 4 3/16"
DOT-R Ø 4 3/16"	TRIMLESS Ø 4 3/16"									
DOT-R Ø 4 3/16"	OFFSET TRIMLESS Ø 4 3/16"									
DOT-R Ø 4 3/16"	TRIM Ø 4 3/16"									
DOT-R Ø 4 3/16"	OFFSET TRIM Ø 4 3/16"									
<p>8. Position dots housing above Cutout hole</p> 	<p>9. Option trimless: screw The mounting frame into cutout hole</p> 	<p>10. Option trimless mounting frame</p> 								

DOT-R recessed

MOUNTING INSTRUCTIONS

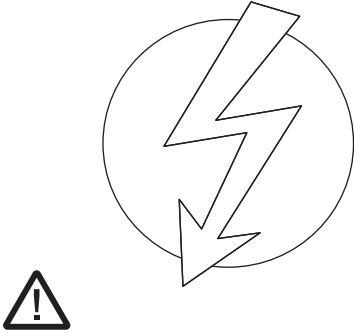


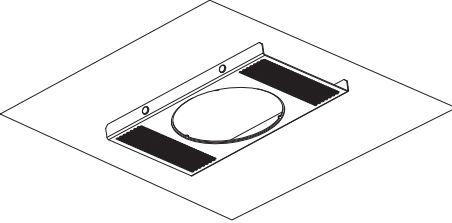
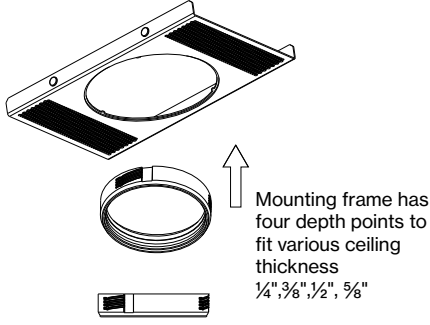
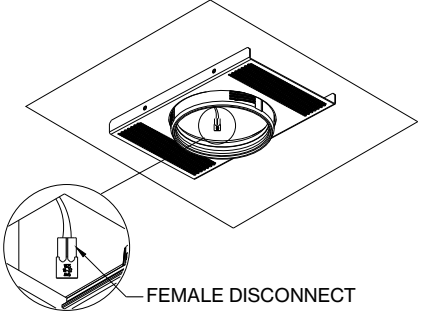
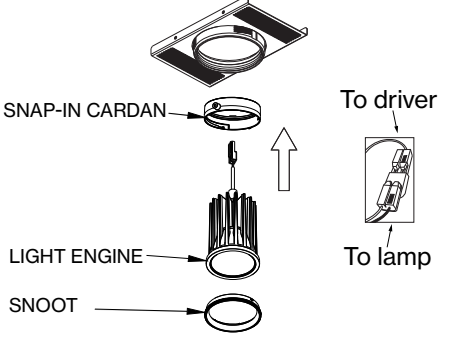
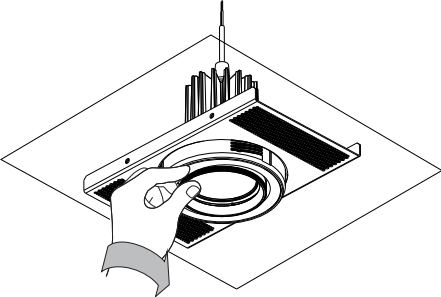
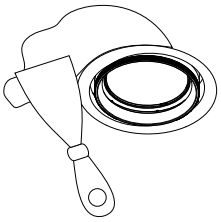
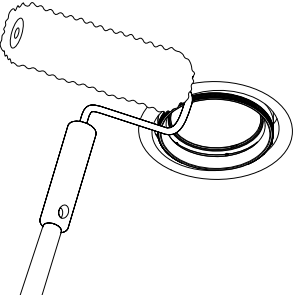

Recessed Trim (Remote Housing)

<p>TURN OFF POWER SOURCE BEFORE INSTALLATION</p> 	<p>1A. Install frame (trimless option) cut out dimensions</p> <div data-bbox="613 338 959 489"> <p>TRIMLESS OPTION</p> <p>Cut out hole according to the cutout dimensions for your lamp</p>  </div> <p>Lamp cutout dimensions</p> <table border="1" data-bbox="613 537 964 657"> <tr> <td>DOT-R Ø 4 3/16"</td> <td>TRIMLESS Ø 4 3/16"</td> </tr> <tr> <td>DOT-R Ø 4 3/16"</td> <td>OFFSET TRIMLESS Ø 4 3/16"</td> </tr> </table>	DOT-R Ø 4 3/16"	TRIMLESS Ø 4 3/16"	DOT-R Ø 4 3/16"	OFFSET TRIMLESS Ø 4 3/16"	<p>1B. Install frame (trim option) cut out dimensions</p> <div data-bbox="1094 338 1440 489"> <p>TRIM OPTION</p> <p>Cut out hole according to the cutout dimensions for your lamp</p>  </div> <p>Lamp cutout dimensions</p> <table border="1" data-bbox="1094 537 1445 657"> <tr> <td>DOT-S Ø 4 3/8"</td> <td>TRIMLESS Ø 4 3/16"</td> </tr> <tr> <td>DOT-S Ø 4 3/8"</td> <td>OFFSET TRIMLESS Ø 4 3/16"</td> </tr> </table>	DOT-S Ø 4 3/8"	TRIMLESS Ø 4 3/16"	DOT-S Ø 4 3/8"	OFFSET TRIMLESS Ø 4 3/16"
DOT-R Ø 4 3/16"	TRIMLESS Ø 4 3/16"									
DOT-R Ø 4 3/16"	OFFSET TRIMLESS Ø 4 3/16"									
DOT-S Ø 4 3/8"	TRIMLESS Ø 4 3/16"									
DOT-S Ø 4 3/8"	OFFSET TRIMLESS Ø 4 3/16"									
<p>2. Option REM mounting: position dots housing above cutout hole</p> 	<p>3. Option trimless: insert the mounting frame into cutout hole</p>  <p>Mounting frame has four depth points to fit various Ceiling thickness 1/4", 3/8", 1/2", 5/8"</p>	<p>4. Using your hands pull remote driver Cable through. Ensure orange female Disconnect is on converter side</p>  <p>FEMALE DISCONNECT</p>								
<p>5. Insert lamp by snapping in frame and cardan, followed by light engine and lastly screw in the snoot</p>  <p>SNAP-IN FRAME →</p> <p>SNAP-IN CARDAN →</p> <p>LIGHT ENGINE →</p> <p>SNOOT →</p>	<p>6. Turn and tilt range to desired location (spotlight 360° rotatable and 35° tiltable)</p> 	<p>7. Spackle around the fixture.</p> 								
<p>8. Paint over spackle.</p> 	<p>9. Installation complete</p> 									

DOT-R recessed

MOUNTING INSTRUCTIONS

Recessed Trimless (Remote Housing)

<p>TURN OFF POWER SOURCE BEFORE INSTALLATION</p> 	<p>1A. Install frame (trimless option) cut out dimensions</p> <div data-bbox="641 359 971 499"> <p>TRIMLESS OPTION</p> <p>Cut out hole according to the cutout dimensions for your lamp</p>  </div> <p>Lamp cutout dimensions</p> <table border="1" data-bbox="641 548 971 663"> <tr> <td>DOT-R Ø 4³/₁₆"</td> <td>TRIMLESS Ø 4³/₁₆"</td> </tr> <tr> <td>DOT-R Ø 4³/₁₆"</td> <td>OFFSET TRIMLESS Ø 4³/₁₆"</td> </tr> </table>	DOT-R Ø 4 ³ / ₁₆ "	TRIMLESS Ø 4 ³ / ₁₆ "	DOT-R Ø 4 ³ / ₁₆ "	OFFSET TRIMLESS Ø 4 ³ / ₁₆ "	<p>1B. Install frame (trim option) cut out dimensions</p> <div data-bbox="1114 359 1446 499"> <p>TRIM OPTION</p> <p>Cut out hole according to the cutout dimensions for your lamp</p>  </div> <p>Lamp cutout dimensions</p> <table border="1" data-bbox="1114 548 1446 663"> <tr> <td>DOT-R Ø 4³/₁₆"</td> <td>TRIM Ø 4³/₁₆"</td> </tr> <tr> <td>DOT-R Ø 4³/₁₆"</td> <td>OFFSET TRIM Ø 4³/₁₆"</td> </tr> </table>	DOT-R Ø 4 ³ / ₁₆ "	TRIM Ø 4 ³ / ₁₆ "	DOT-R Ø 4 ³ / ₁₆ "	OFFSET TRIM Ø 4 ³ / ₁₆ "
DOT-R Ø 4 ³ / ₁₆ "	TRIMLESS Ø 4 ³ / ₁₆ "									
DOT-R Ø 4 ³ / ₁₆ "	OFFSET TRIMLESS Ø 4 ³ / ₁₆ "									
DOT-R Ø 4 ³ / ₁₆ "	TRIM Ø 4 ³ / ₁₆ "									
DOT-R Ø 4 ³ / ₁₆ "	OFFSET TRIM Ø 4 ³ / ₁₆ "									
<p>2. Option REM mounting: position dots housing above cutout hole</p> 	<p>3. Option trimless: insert the mounting frame into cutout hole</p>  <p>Mounting frame has four depth points to fit various ceiling thickness 1/4", 3/8", 1/2", 5/8"</p>	<p>4. Using your hands pull remote driver cable through. Ensure orange female disconnect is on converter side</p>  <p>FEMALE DISCONNECT</p>								
<p>5. Insert lamp by snapping in frame and cardan, followed by light engine and lastly screw in the snoot</p>  <p>SNAP-IN CARDAN</p> <p>LIGHT ENGINE</p> <p>SNOOT</p> <p>To driver</p> <p>To lamp</p>	<p>6. Turn and tilt range to desired location (spotlight 360° rotatable and 35° tiltable)</p> 	<p>7. Spackle around the fixture.</p> 								
<p>8. Paint over spackle.</p> 	<p>9. Installation complete</p> 									

Technical Support Hotline

Call the Technical Support Hotline from Monday to Friday, 8 AM - 6 PM (EST)

Hotline:
+1 203 262 9990

Or 24/7 via email:
service@basolighting.com

EN Installation, commissioning and maintenance may only be performed by authorized and qualified personnel, taking into consideration these installation instructions and any standards and regulations applicable to the respective area of application. The electrical, mechanical and thermal suitability of the luminaire for the intended area of application must be ensured and the secure fastening of the luminaire after its installation must be controlled. Turn off supply voltage before replacing any lamps (if applicable) as well as before performing any other works on the luminaire (e.g. cleaning) and wait until luminaire and lamp have completely cooled off. Please refer to the installation notes of the lamp manufacturer when inserting, replacing and operating conventional lamps. Use a soft, damp cloth to clean the luminaire. To clean plastic components and reflectors, a standard pH neutral, alcohol-free, non-abrasive cleaning agent may also be used.

Keep these installation instructions in a safe place as reference for any future maintenance works.

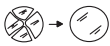
1. The lamp is not suitable for outdoor use.
2. The lamp may only be used with a safety guard.
3. Damaged protection glasses and covers have to be replaced immediately.
4. Corrosive chemical products must not be used as this may have a detrimental effect on the luminaire.
5. No liability is accepted for any subsequent change of the luminaire.
6. LEDs are high-quality electronic components! Please avoid touching by hand the LED light emitting surface while assembling or replacing parts and during maintenance work.
7. To avoid damage of the profile, unevenness on the wall or ceiling must be leveled out before assembling the profiles. While assembling the profiles, make sure they do not deform in order to guarantee their proper function.
8. The light source contained in this luminaire shall only be replaced by the manufacturer or his service agent or a similar qualified person.
9. The LED circuit must always be closed, before the converter is connected to the main power. BASO does not assume any liability for damages resulting from nonobservance of this rule.
10. Luminous flux and connected electrical load are subject to an initial tolerance of up to +/-10%. Color temperature is subject to a tolerance of up to +/- 150 Kelvin from the nominal value.

FR Le montage et la maintenance peut être effectué par spécialistes respectant les normes et règles valables. Assurer l'aptitude thermique, mécanique et électrique pour l'emploi prévue et assurer la fixation de la luminaire. Éteindre la tension avant de changer les lampes (si applicable) ou avant de réaliser travaux (p.ex nettoyage) à la luminaire. Attendre jusqu'à ce que la luminaire et les lampes ont fraîchi complètement. Merci de bien vouloir vous référer aux notes d'installation du fabricant de la lampe lors de l'insertion, le remplacement et la mise en route, avec des lampes conventionnelles. Pour nettoyer la luminaire utiliser un drap humide et doux. Pour nettoyer les parties du plastique ou les réflecteurs on peut utiliser encore un produit de nettoyage sans alcool qui ne fraye pas le matériel. Garder cette notice de montage pour possibles travaux de maintenance.

1. La luminaire n' est pas apte pour l'utilisation extérieure.
2. Utiliser la luminaire seulement avec un dispositif de sécurité
3. Changer immédiatement des verres de sécurité défectueux ou bien des écrans de protection.
4. Évitez tout contact de la lampe avec de produits chimiques corrosifs.
5. Nous déclinons toute responsabilité en cas de modifications ultérieures.
6. Des LEDs sont des composants électroniques de haute qualité! Éviter tout contact direct de la surface de sortie de lumière de la LED avec les mains lors du montage ou des les travaux de maintenance de la lampe.
7. Pour éviter l'endommagement du profil, il est nécessaire de compenser les irrégularités du mur ou du plafond avant le montage des profils. Pour garantir un fonctionnement irréprochable des profils, il ne faut pas déformer les profils lors du montage.
8. La source du luminaire peut être remplacé uniquement par le fabricant ou un tiers habilité.
9. Il faut que le circuit de LED soit fermé avant de connecter le convertisseur. BASO ne assume pas la garantie si cette norme ne se respecte pas.
10. La puissance et le flux lumineux affichent d'origine une tolérance de +/-10 %. Tolérance de la couleur de température : +/- 150 Kelvin.

ES La instalación, la puesta en marcha y el mantenimiento sólo deben realizarse por personal especializado considerando esta guía de instalación y todas las normas y reglamentaciones vigentes. Asegurarse de la aptitud eléctrica, mecánica y térmica de la luminaria para la aplicación prevista y comprobar la fijación segura de la luminaria después de su instalación. Apagar siempre la corriente antes de cambiar la lámpara (en caso justificado) o de realizar algún otro trabajo en esta (p.ej. Limpieza). Esperar hasta que se enfríen la luminaria y la lámpara completamente. Tener en cuenta las instrucciones de montaje del fabricante al colocar, cambiar y utilizar lámparas convencionales. Para la limpieza de la luminaria utilizar un paño suave y húmedo. Para limpiar componentes de plástico y reflectores puede usar también un limpiador pH neutral y sin alcohol que no roce el material. Guardar esta guía de instalación para trabajos de mantenimiento.

1. La luminaria no es apta para utilizarla en el exterior.
2. La luminaria solo debe accionar con un dispositivo de seguridad.
3. Cambie de inmediato los vidrios y las tapas de protección dañados.
4. Químicos que tienen efectos corrosivos no deben influir en la luminaria.
5. Para modificaciones futuras en la luminaria no se asume ninguna responsabilidad.
6. Los LED son componentes electrónicos de alta calidad! Por favor durante el montaje o el mantenimiento evite el contacto directo con la superficie de emisión.
7. Para evitar daños en el perfil, los desniveles de las paredes y techos deben ser enrasados antes del montaje de los perfiles. Para garantizar su buen funcionamiento, los perfiles no deben sufrir deformaciones durante el montaje.
8. La fuente luminosa contenida en esta luminaria debe ser reemplazada únicamente por el fabricante o su agente de servicio o similar persona cualificada.
9. El circuito LED debe ser cerrado antes de conectar el convertidor. BASO no asume garantía si esta norma no se respeta.
10. La potencia original y el flujo luminoso presentan una tolerancia de +/-10%. Tolerancia de temperatura de color: +/- 150 Kelvin.

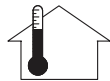


The lamp may only be operated with its full protective cover!

L'apparechio necessita del relativo vetro di protezione!



Sólo usar la luminaria con su cobertura de seguridad completa!



Recommended room temperature: 77 °F.

Temperatura ambiente recomendada: 77 °F.

Température ambiante recommandée: 77 °F.



Don't touch the LED



Use gloves.

Use guantes.

Utiliser des gants.