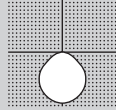




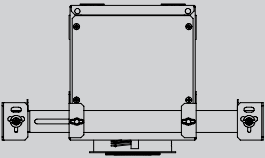
PERFORMANCE

- Up to 95lm/W
- CRI > 90
- Spotlight 360° rotatable & 35° tiltable



MOUNTING

Recessed



Catalog Number Example

DOTR-RTR-FL-WH-1L-27K-C90-HCOMB-SP-R19D-UNV-010V-1000LM-NIC

A RANGE

DOT R _____ DOT R

J VOLTAGE

120V / 277V _____ UNV

B MOUNTING

Recessed with trim _____ R T R
Recessed trimless _____ R T L

K DIMMING

0-10V 1% _____ 0 1 0 V
Hi-lume 1% EcoSystem _____ L D E 1

C MOUNTING DEPTH

Flush _____ F L
Regressed 1" _____ R 1

L OUTPUT PER LAMP

1000lm 11W 1 0 0 0 LM - 11W
1500lm 16W 1 5 0 0 LM - 16W
1900lm 20W 1 9 0 0 LM - 20W

D COLOR

White _____ WH
Black _____ B L

M HOUSING TYPE

T-Rod / non IC-rated _____ T R - N I C
T-Rod / IC-rated _____ T R - I C R
Chicago Plenum (CCEA) _____ T R - C C E A
Remote Housing _____ R E M

E LAMP

1 Lamp _____ 1 L

F CCT

2700 K _____ 2 7 K
3000 K _____ 3 0 K
3500 K _____ 3 5 K
4000 K _____ 4 0 K

N MOUNTING (HOUSING)

No extra mounting hardware *
(only for REM)
Hanger bars
adjustable 14"-18"
(N/A for REM) _____ H B 1 4 1 8
Hanger bars
adjustable 14"-18" for T-Grid
(N/A for REM) _____ H G 1 4 1 8

G CRI

CRI > 80 _____ C 8 0
CRI > 90 _____ C 9 0

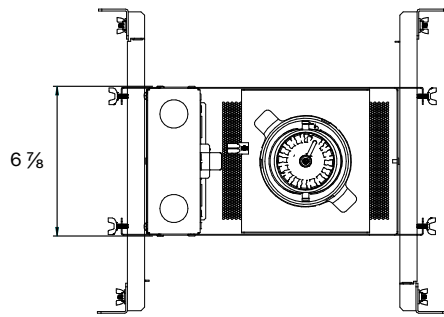
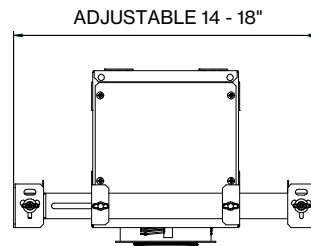
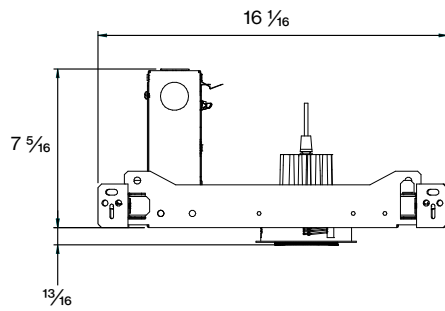
H REFLECTOR

Spot 19° _____ S P - R 1 9 D
Medium 26° _____ M D - R 2 6 D
Flood 37° _____ F L - R 3 7 D
Wide flood 62° _____ W I - R 6 2 D

I ACCESSORY

No Accesory _____ N O A C C
Honeycomb Louver _____ H C O M B

Dimensions



3D VIEW

