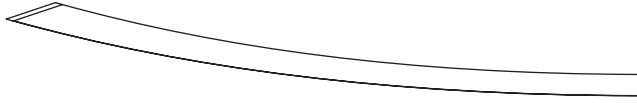


CIRCLE 2.5 recessed

MOUNTING INSTRUCTIONS




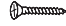


DO NOT DISCARD!



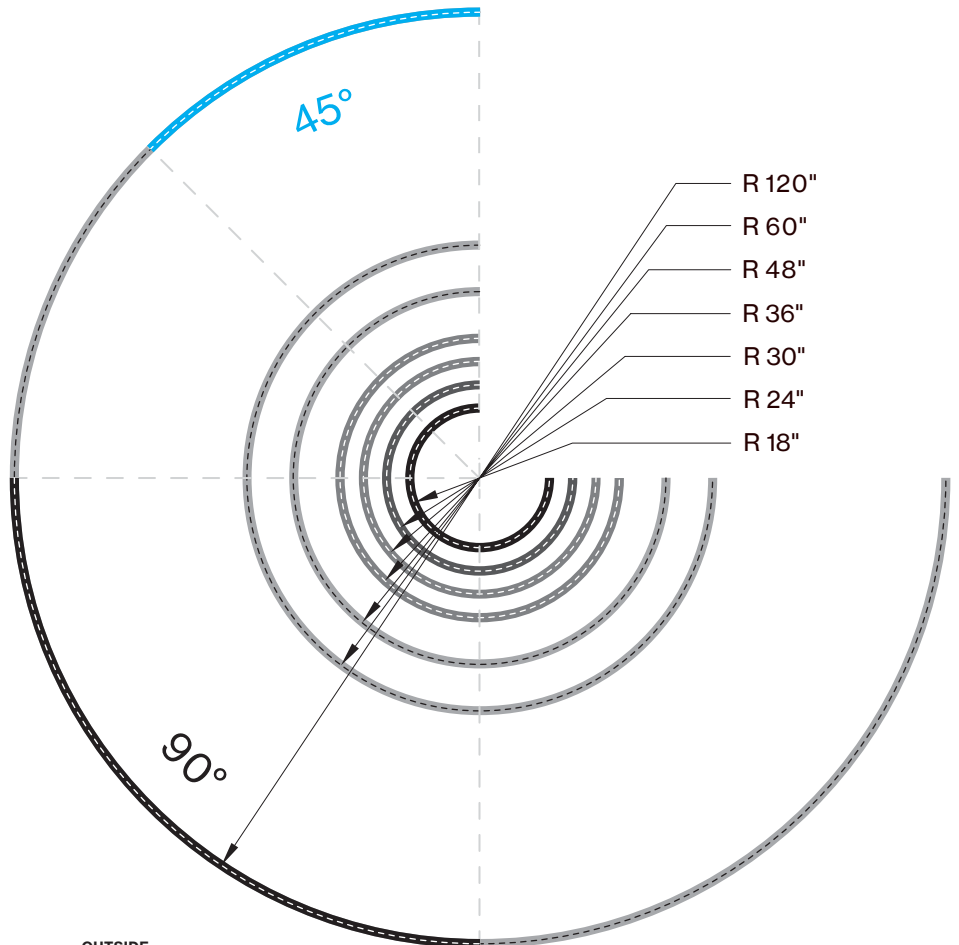
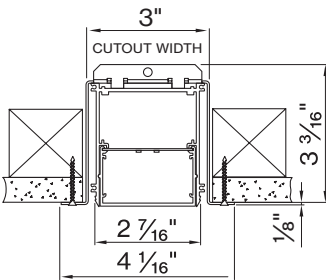
SIGN LEGEND

-  POWER OFF
-  POWER ON
-  DON'T TOUCH THE LED
-  ATTENTION
-  USE ESD GLOVES

REQUIRED TOOLS (not included)

-  pencil
-  screwdriver
-  drill
-  screws
-  spackle knife
-  drywall saw

RECESSED



FULL CIRCLE DIMENSIONS

NOMINAL	ON-CENTER RADIUS	ON-CENTER DIAMETER	OUTSIDE DIAMETER	OUTSIDE CIRCUMFER.
Ø 36"	18"	Ø 36"	Ø 38 3/8"	120 9/16"
Ø 48"	24"	Ø 48"	Ø 50 3/8"	158 1/4"
Ø 60"	30"	Ø 60"	Ø 62 3/8"	196"
Ø 72"	36"	Ø 72"	Ø 74 3/8"	233 5/8"
Ø 96"	48"	Ø 96"	Ø 92 3/8"	306"
Ø 120"	60"	Ø 120"	Ø 122 3/8"	384 7/16"
Ø 240"	120"	Ø 240"	Ø 242 3/8"	761 7/16"

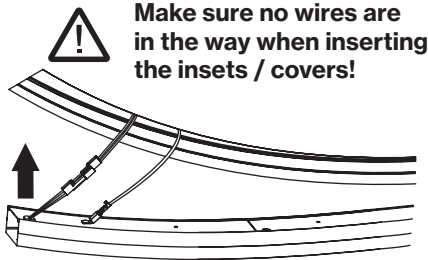
FOR FIXTURES THAT ARE NOT FULL CIRCLE
 L total = L channel + 1/8" in total for two endcaps

FOR FIXTURES THAT ARE FULL CIRCLE
 L total = L channel

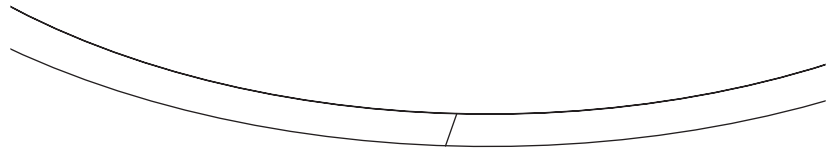
CURVE 2.5 recessed

MOUNTING INSTRUCTIONS

25. **SYSTEMS:** Insert insets / covers into channels

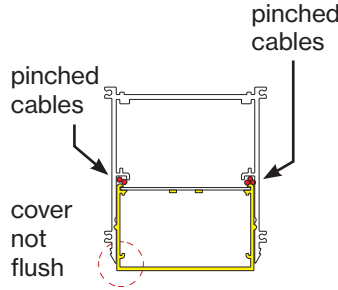


26. **SYSTEMS:** Installation complete



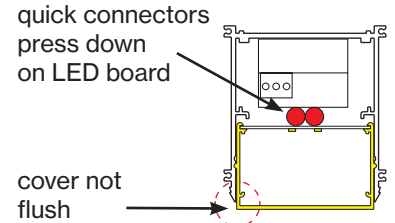
IMPORTANT: Cover must sit flush. If cover does not sit flush and is not fully engaged, it might fall. Due to changes in temperature, the acrylic can slightly shrink and expand. As long as they are installed correctly, the lighting fixtures are designed to accommodate those physical changes.

WRONG

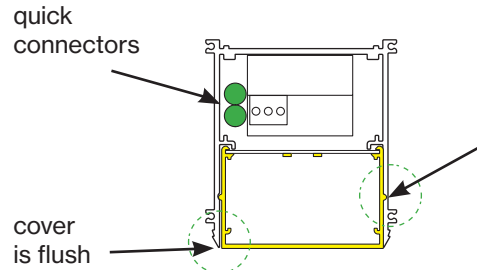


IMPORTANT: Quick connectors must be tucked in between drivers and open space in the fixture. Make sure quick connectors don't rest on the LED board.

WRONG



RIGHT



Cover must be fully engaged. You will feel a physical feedback and hear a “click” noise to confirm that the cover is engaged.

Technical Support Hotline

Call the Technical Support Hotline from Monday to Friday, 8 AM - 6 PM (EST)

Hotline:
+1 203 262 9990

Or 24/7 via email:
service@basolighting.com

EN Installation, commissioning and maintenance may only be performed by authorized and qualified personnel, taking into consideration these installation instructions and any standards and regulations applicable to the respective area of application. The electrical, mechanical and thermal suitability of the luminaire for the intended area of application must be ensured and the secure fastening of the luminaire after its installation must be controlled. Turn off supply voltage before replacing any lamps (if applicable) as well as before performing any other works on the luminaire (e.g. cleaning) and wait until luminaire and lamp have completely cooled off. Please refer to the installation notes of the lamp manufacturer when inserting, replacing and operating conventional lamps. Use a soft, damp cloth to clean the luminaire. To clean plastic components and reflectors, a standard pH neutral, alcohol-free, non-abrasive cleaning agent may also be used.

Keep these installation instructions in a safe place as reference for any future maintenance works.

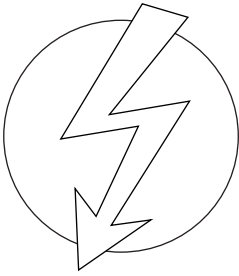

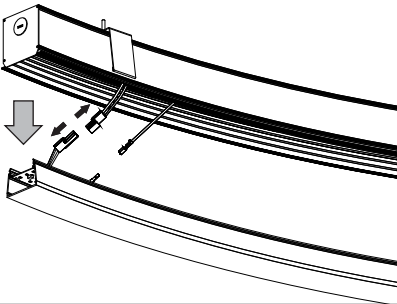
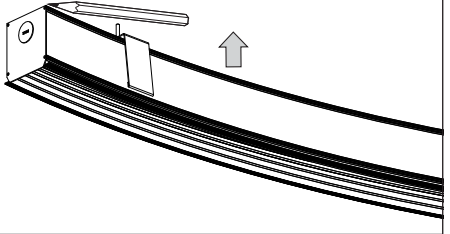
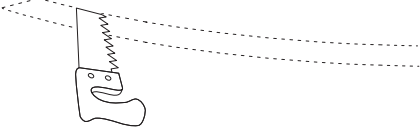
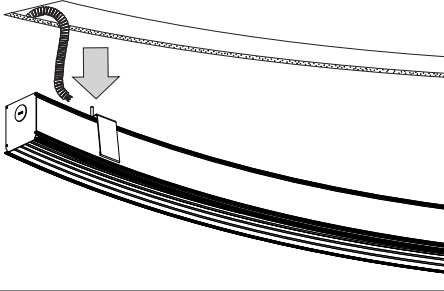
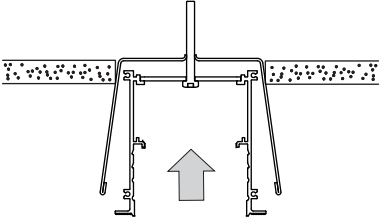
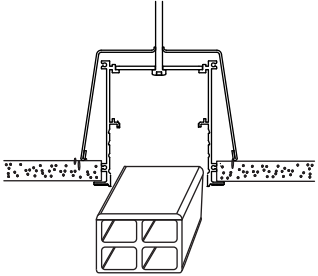
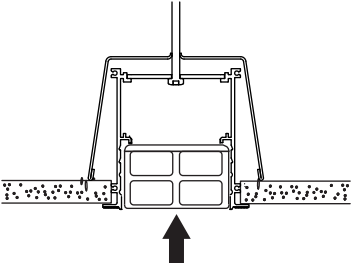
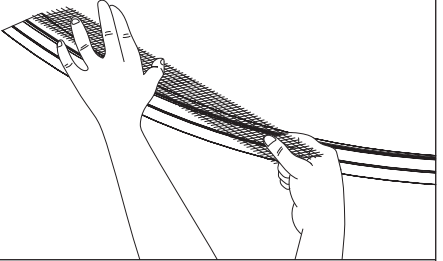
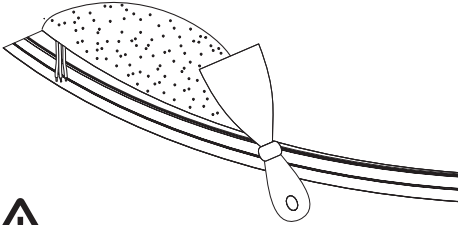

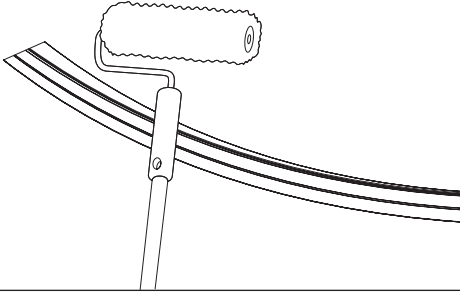
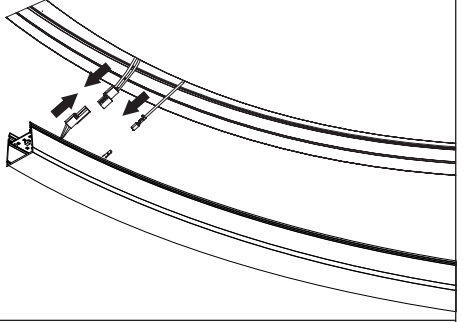
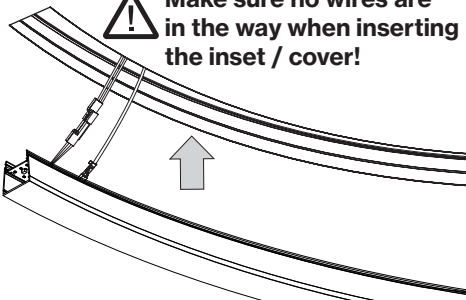

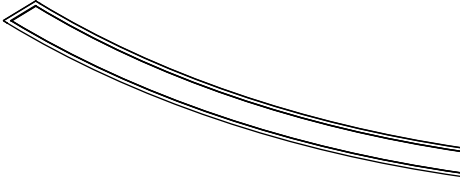

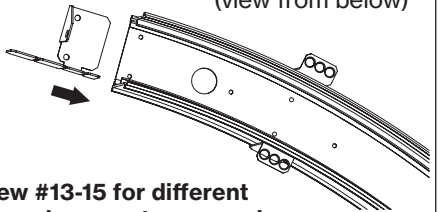
1. The lamp is not suitable for outdoor use.
2. The lamp may only be used with a safety guard.
3. Damaged protection glasses and covers have to be replaced immediately.
4. Corrosive chemical products must not be used as this may have a detrimental effect on the luminaire.
5. No liability is accepted for any subsequent change of the luminaire.
6. LEDs are high-quality electronic components! Please avoid touching by hand the LED light emitting surface while assembling or replacing parts and during maintenance work.
7. To avoid damage of the profile, unevenness on the wall or ceiling must be leveled out before assembling the profiles. While assembling the profiles, make sure they do not deform in order to guarantee their proper function.
8. The light source contained in this luminaire shall only be replaced by the manufacturer or his service agent or a similar qualified person.
9. The LED circuit must always be closed, before the converter is connected to the main power. BASO does not assume any liability for damages resulting from nonobservance of this rule.
10. Luminous flux and connected electrical load are subject to an initial tolerance of up to +/-10%. Color temperature is subject to a tolerance of up to +/- 150 Kelvin from the nominal value.

ES El montaje y la mantenimiento puede ser efectuado por especialistas respetando las normas y reglas vigentes. Asegurar la aptitud térmica, mecánica y eléctrica para el empleo previsto y asegurar el fijado de la luminaria. Apagar la tensión antes de cambiar las lámparas (si es aplicable) o antes de realizar trabajos (p.ej. limpieza) a la luminaria. Esperar hasta que la luminaria y las lámparas estén completamente frías. Referirse a las notas de instalación del fabricante de la lámpara al momento de la inserción, el reemplazo y la puesta en marcha, con las lámparas convencionales. Para limpiar la luminaria utilizar un drap húmedo y suave. Para limpiar los reflectores o las partes de plástico o los reflectores se puede utilizar un producto de limpieza sin alcohol que no dañe el material. Guardar esta nota de montaje para posibles trabajos de mantenimiento.

1. La luminaria no es apta para el uso exterior.
2. Utilizar la luminaria solamente con un dispositivo de seguridad.
3. Cambiar inmediatamente los vidrios de seguridad defectuosos o bien los paneles de protección.
4. Evitar todo contacto de la lámpara con productos químicos corrosivos.
5. Nos declinamos toda responsabilidad en caso de modificaciones ulteriores.
6. Los LEDs son componentes electrónicos de alta calidad! Evitar todo contacto directo de la superficie de salida de la LED con las manos durante el montaje o durante los trabajos de mantenimiento de la lámpara.
7. Para evitar el "daño" del perfil, la irregularidad de la pared o del techo debe nivelarse antes del montaje de los perfiles. Durante el montaje de los perfiles, asegurarse de que no se deformen para garantizar su correcto funcionamiento.
8. La fuente de luz de esta luminaria solo debe ser reemplazada por el fabricante o un agente de servicio o una persona calificada similar.
9. El circuito de LED debe estar siempre cerrado, antes de conectar el convertidor a la corriente principal. BASO no asume la garantía si esta norma no se respeta.
10. La potencia y el flujo luminoso tienen una tolerancia de +/-10%. Tolerancia de la temperatura de color: +/- 150 Kelvin.

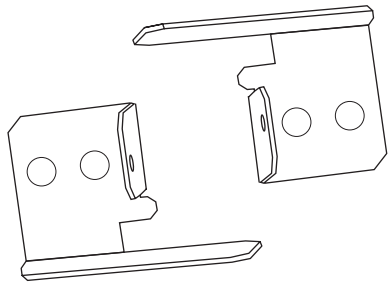
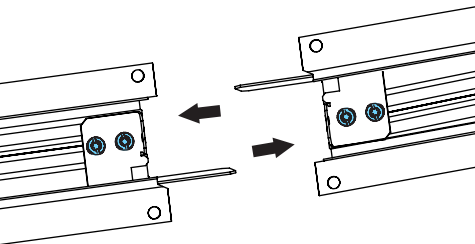
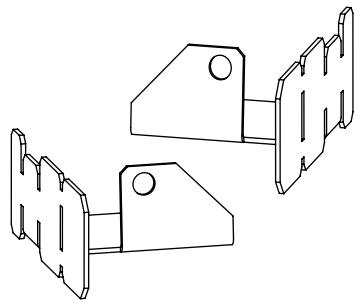
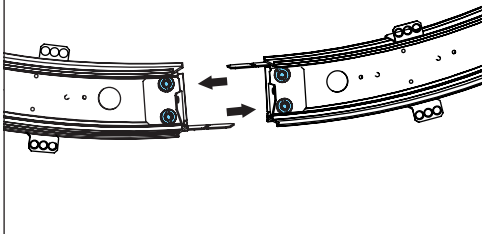
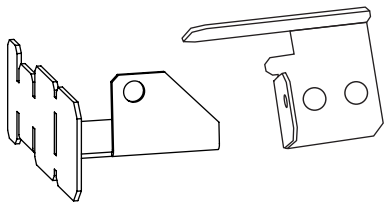
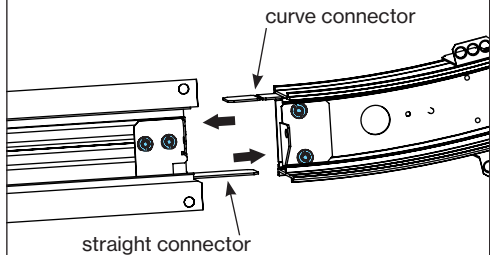
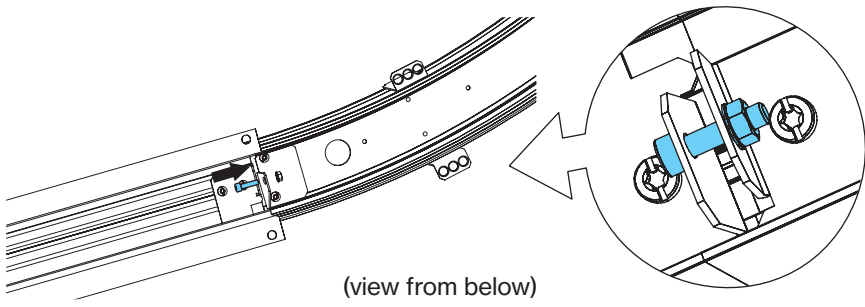
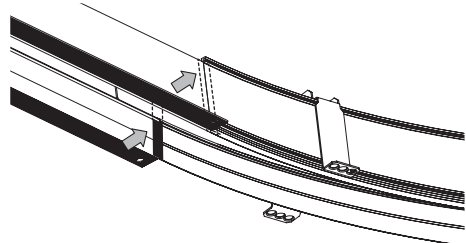
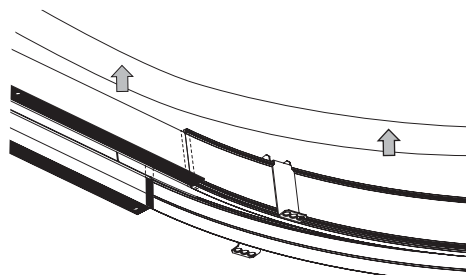
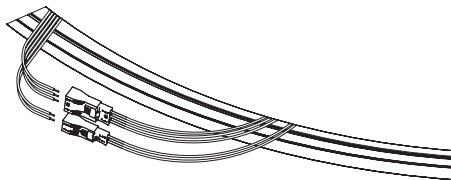
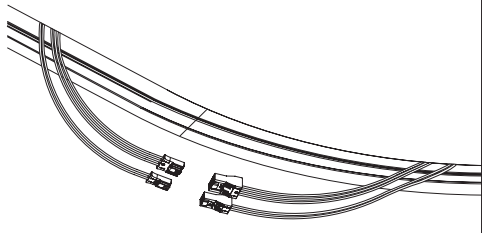
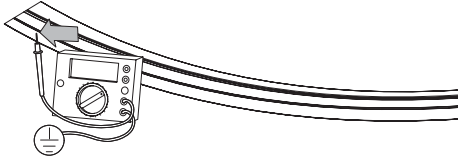
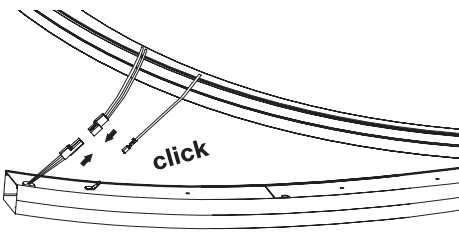
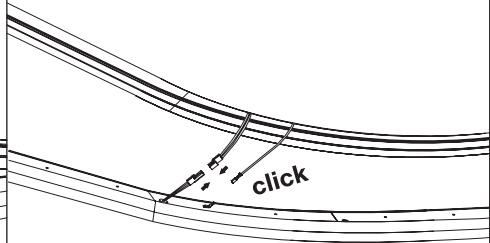
CIRCLE 2.5 recessed

MOUNTING INSTRUCTIONS

<p>Turn OFF power source before installation</p>  	<p>1. Remove inset/lens from channel</p> 	<p>2. Place channel in desired position on ceiling and mark or score the fixture position</p> 
<p>3. Cut out hole in ceiling</p>  <p>WARNING: Please note it's not recommended to make a ceiling cutout in the absence of the light fixture or a template</p>	<p>4. Thread conduit through top of channel (conduit supplied by others)</p> 	<p>5. Insert channel to blocks through drywall</p> 
<p>5. Use spacer block to maintain channel width</p> 	<p>6. Secure the spacer blocks to the channel</p> 	<p>7. Apply drywall mesh tape between the channel and the drywall. Repeat for each additional channel</p> 
<p>8. Cover gaps and flange with spackle</p>  	<p>9. Once dry, paint over spackle</p> 	<p>10. Make connections</p> 
<p>11. Insert inset into channel</p> <p>Make sure no wires are in the way when inserting the inset / cover!</p>  	<p>12. Cover should be flush with channel. Installation complete</p>   <p>Should hear "click" once secure.</p>	<p>13. SYSTEMS: Slide connectors into channels</p> <p>(view from below)</p>  <p>*View #13-15 for different channel connector scenarios</p>

CIRCLE 2.5 recessed

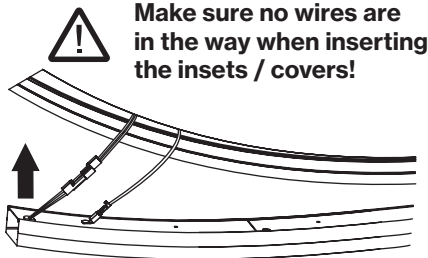
MOUNTING INSTRUCTIONS

<p>14. Connection Type: Straight <> Straight</p> 	<p>14a. SYSTEMS: Use screws to secure connectors to channels</p> 	<p>15. Connection Type: Curve <> Curve</p> 
<p>15a. SYSTEMS: Use screws to secure connectors to channels</p> 	<p>16. Connection Type: Straight <> Curve</p> 	<p>16a. Connection Type: Straight <> Curve</p>  <p>Labels: curve connector, straight connector</p>
<p>17. SYSTEMS: Use screw and nut to secure connectors to channels</p>  <p>(view from below)</p>		<p>18. SYSTEMS: Apply aluminum tape to the interior of the channels (where channels meet)</p> 
<p>19. SYSTEMS: Insert channels into cutout hole</p> 	<p>20. SYSTEMS: Establish connection between segments. Repeat steps for multiple channels</p> 	<p>21. SYSTEMS: Establish connection between segments. Repeat steps for multiple channels</p> 
<p>22. Testing the current</p>  <p>! Max. 0.5 Ohm resistance</p>	<p>23. SYSTEMS: Connect inset(s) wiring, grounding clip and fall protection to channel(s)</p>  <p>click</p>	<p>24. SYSTEMS: Make connection between segments</p>  <p>click</p>

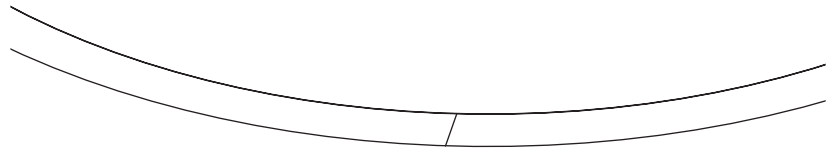
CIRCLE 2.5 recessed

MOUNTING INSTRUCTIONS

25. **SYSTEMS:** Insert insets / covers into channels

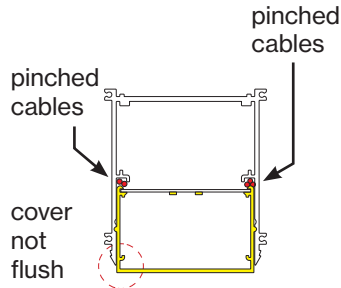


26. **SYSTEMS:** Installation complete



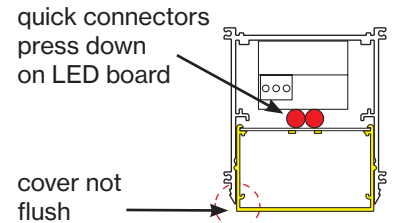
IMPORTANT: Cover must sit flush. If cover does not sit flush and is not fully engaged, it might fall. Due to changes in temperature, the acrylic can slightly shrink and expand. As long as they are installed correctly, the lighting fixtures are designed to accommodate those physical changes.

WRONG

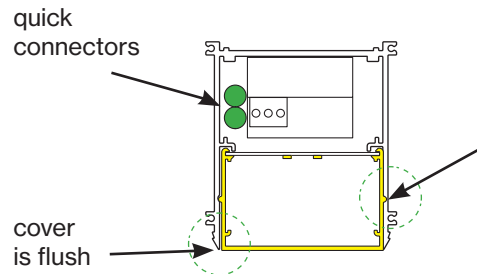


IMPORTANT: Quick connectors must be tucked in between drivers and open space in the fixture. Make sure quick connectors don't rest on the LED board.

WRONG



RIGHT



Technical Support Hotline

Call the Technical Support Hotline from Monday to Friday, 8 AM - 6 PM (EST)

Hotline:
+1 203 262 9990

Or 24/7 via email:
service@basolighting.com

EN Installation, commissioning and maintenance may only be performed by authorized and qualified personnel, taking into consideration these installation instructions and any standards and regulations applicable to the respective area of application. The electrical, mechanical and thermal suitability of the luminaire for the intended area of application must be ensured and the secure fastening of the luminaire after its installation must be controlled. Turn off supply voltage before replacing any lamps (if applicable) as well as before performing any other works on the luminaire (e.g. cleaning) and wait until luminaire and lamp have completely cooled off. Please refer to the installation notes of the lamp manufacturer when inserting, replacing and operating conventional lamps. Use a soft, damp cloth to clean the luminaire. To clean plastic components and reflectors, a standard pH neutral, alcohol-free, non-abrasive cleaning agent may also be used.

Keep these installation instructions in a safe place as reference for any future maintenance works.

1. The lamp is not suitable for outdoor use.
2. The lamp may only be used with a safety guard.
3. Damaged protection glasses and covers have to be replaced immediately.
4. Corrosive chemical products must not be used as this may have a detrimental effect on the luminaire.
5. No liability is accepted for any subsequent change of the luminaire.
6. LEDs are high-quality electronic components! Please avoid touching by hand the LED light emitting surface while assembling or replacing parts and during maintenance work.
7. To avoid damage of the profile, unevenness on the wall or ceiling must be leveled out before assembling the profiles. While assembling the profiles, make sure they do not deform in order to guarantee their proper function.
8. The light source contained in this luminaire shall only be replaced by the manufacturer or his service agent or a similar qualified person.
9. The LED circuit must always be closed, before the converter is connected to the main power. BASO does not assume any liability for damages resulting from nonobservance of this rule.
10. Luminous flux and connected electrical load are subject to an initial tolerance of up to +/-10%. Color temperature is subject to a tolerance of up to +/- 150 Kelvin from the nominal value.

ES Le montage et la maintenance peut être effectuée par spécialistes respectant les normes y régies valides. Assurer l'aptitude thermique, mécanique et électrique pour l'emploi prévue et assurer la fixation de la luminaire. Éteindre la tension avant de changer les lampes (si applicable) ou avant de réaliser travaux (p.ex nettoyage) à la luminaire. Attendre jusqu'à ce que la luminaire et les lampes ont fraîchit complètement. Merci de bien vouloir vous référer aux notes d'installation du fabricant de la lampe lors de l'insertion, le remplacement et la mise en route, avec des lampes conventionnelles. Pour nettoyer la luminaire utiliser un drap humide et doux. Pour nettoyer les parties du plastique ou les réflecteurs on peut utiliser encore un produit de nettoyage sans alcool qui ne fraye pas le material. Garder cette notice de montage pour possibles travaux de maintenance.

1. La luminaire n'est pas apte pour l'utilisation extérieure.
2. Utiliser la luminaire seulement avec un dispositif de sécurité.
3. Changer immédiatement des verres de sécurité défectueux ou bien des écrans de protection.
4. Évitez tout contact de la lampe avec de produits chimiques corrosifs.
5. Nous déclinons toute responsabilité en cas de modifications ultérieures.
6. Des LEDs sont des composants électroniques de haute qualité! Éviter tout contact direct de la surface de sortie de lumière de la LED avec les mains lors du montage ou des travaux de maintenance de la lampe.
7. Pour éviter l'endommagement du profil, il est nécessaire de compenser les irrégularités du mur ou du plafond avant le montage des profils. Pour garantir un fonctionnement irréprochable des profils, il ne faut pas déformer les profils lors du montage.
8. La source de luminaire peut être remplacée uniquement par le fabricant ou un tiers habilité.
9. Il faut que le circuit de LED soit fermé avant de connecter le convertisseur. BASO ne assume pas la garantie si cette norme ne se respecte pas.
10. La puissance et le flux lumineux affichent d'origine une tolérance de +/-10%. Tolérance de la couleur de température: +/- 150 Kelvin.