

BASO 4.0 PERIMETER

Catalog Number Example

BASO 4.0-PM-RTR-BL-O2-TR-27K-C80-UNV-010V-0500LF-ST-24IN

A B C D E F G H I J L N O

A RANGE

BASO 4.0 B A S O 4 . 0

B SUB CATEGORY

Perimeter P M

C MOUNTING

QS Recessed trimless	R T L
QS Recessed with trim	R T R
QS Armstrong Suprafine 9/16" G	A 9 G
QS Armstrong Interlude 9/16" SG	A 9 S
QS Armstrong Silhouette 9/16" BSG	A 9 S
QS Armstrong Prelude 15/16" G	A 1 5
QS 9/16" Grid (any brand)	G R D
QS 9/16" Slot Grid (any brand)	G R D
QS 15/16" Grid (any brand)	G R D
Custom	X X X

D COLOR

QS White	W H
QS Black	B L
Gray	G R
Custom color RAL	X X

trimless version available in white only

E LENS REGRESSION

HP opal cover 2" regressed	O 2
HP opal cover 3" regressed	O 3
HP opal cover 4" regressed	O 4

fixture depth is field-adjustable

F END CAP DETAIL

Trim endcap (RTR only)	T R
Trimless endcap - wall to wall	T L
Invisible endcap - wall to wall	I N

G CCT

2700K	2 7 K
QS 3000K	3 0 K
QS 3500K	3 5 K
4000K	4 0 K

H CRI

CRI > 80	C 8 0
CRI > 90	C 9 0

I VOLTAGE

120V / 277V U N V

J DIMMING

QS 0-10V 1%	0 1 0 V
Lutron EcoSystem	L E S 1
Quantum, Vive, GRAFIK Eye, HomeWorks	
Power over ethernet	P O E C
consult customer service for compatibility	
Custom dimming	X X X X
consult customer service for compatibility	

K SENSOR (optional)

Integrated Sensor S E N
consult customer service for sensor request

L OUTPUT LM/FT

QS 500lm/ft 100% ‡	0 5 0 0 L F
QS 750lm/ft 100% ‡	0 7 5 0 L F
QS 1000lm/ft 100% ‡	1 0 0 0 L F
Custom lm/ft	X X X X L F

custom lumen up to 1400 lm/ft

M CIRCUIT / EM

QS Single circuit	*
EMC night light circuit	N L C
EMB available in 4ft and 8ft	E M #

* leave blank

N SHAPE / PATTERN

QS Linear / straight	S T
QS Linear / straight + flex inset	S F

includes 1ft. field-cutttable section; only available for 4' and 8' segments

L-shape	L S
□-shape (rectangular shape)	R S
U-shape	U S
Custom shape	X X

for grid applications using L-shape, rectangular shape or U-shape, please contact customer service for availability

O DIMENSIONS IN INCH

Linear 2'	2 4 I N
QS Linear 4'	4 8 I N
QS Linear 6'	7 2 I N
QS Linear 8'	9 6 I N
Linear custom	## # I N
Linear flex inset	## # I N

includes 4' to 3' field-cutttable section

L-Shape	## # X ## # I N
U-Shape	## # X ## # X ## # I N
□-Shape	## # X ## # I N

for lengths including flex insets, round up to the nearest total foot length

P CERTIFICATION (optional)

Chicago Plenum	C C E A
Red List Approved	R L A

CERTIFICATIONS & COMPLIANCE

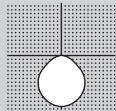


FEATURES



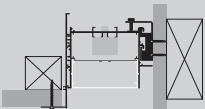
PERFORMANCE

- Up to 111lm/W efficiency
- 500 / 955lm/ft
- CRI > 80 & CRI > 90
- IC & Damp rated



MOUNTING

Perimeter



PATTERNS



*X Shapes

Angular

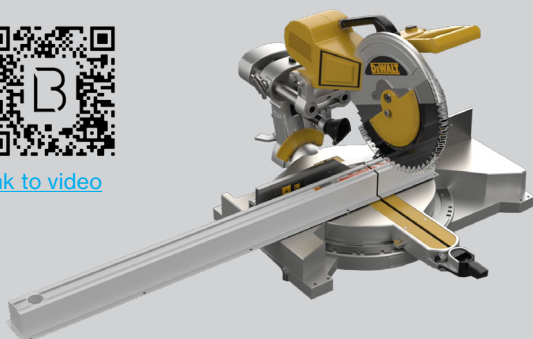
For customization, please contact customer service

FIELD-CUTTTABLE FLEX

Down to 1/16"



[link to video](#)

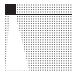



BASO
basolighting.com

CS-V01

11/2024

Technical data

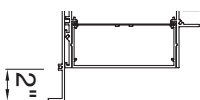
	SIZE TYPE	LED COLOR TEMPERATURE	INPUT WATTS	DELIVERED LM TOTAL	LIGHT DISTRIBUTION	DELIVERED LM DIRECT	DELIVERED LM INDIRECT	OPTICAL EFFICIENCY	LUMINAIRE EFFICACY	
BASO DIRECT										
	e LED	40K	2' linear	9W	1000lm	100% down	500lm/ft	-	74%	111lm/W
	4' linear		18W	2000lm						
	6' linear		27W	3000lm						
	8' linear		36W	4000lm						
	2' + 2' corner		18W	2000lm						
	e² LED	40K	2' linear	18W	1900lm	100% down	955lm/ft	-	74%	106lm/W
	4' linear		36W	3800lm						
	6' linear		54W	5700lm						
	8' linear		72W	7600lm						
	2' + 2' corner		36W	3800lm						

for 30K or 35K multiply lm value by 0.96

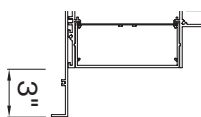
Perimeter depth

field adjustable

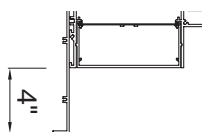
2" REGRESSED



3" REGRESSED

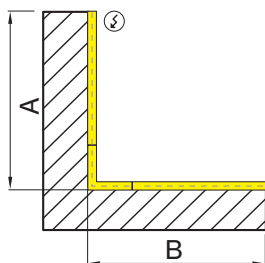


4" REGRESSED

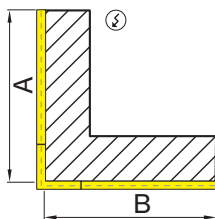


Patterns top view

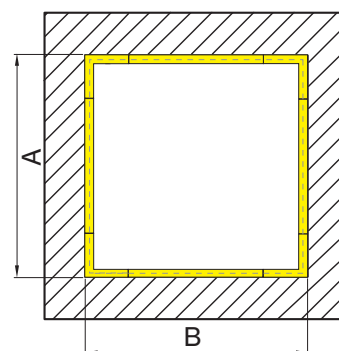
L-SHAPE inside corner



L-SHAPE outside corner

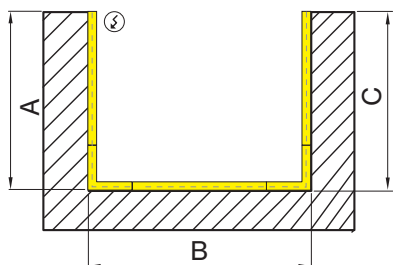


□-SHAPE inside corner

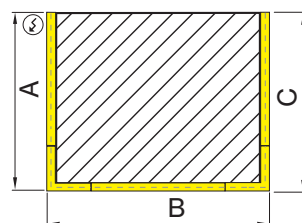


A / B	FIXTURES	CODE
48" / 48"	2 × 2' linear + 1 × 2' × 2' corner	0 4 X 0 4 F T
48" / 96"	1 × 2' linear + 1 × 6' linear + 1 × 2' × 2' corner	0 4 X 0 8 F T
96" / 96"	2 × 6' linear + 1 × 2' × 2' corner	0 8 X 0 8 F T

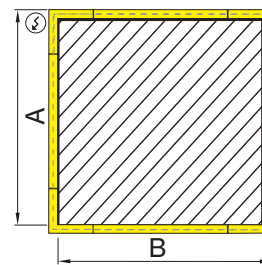
U-SHAPE inside corner



U-SHAPE outside corner



□-SHAPE outside corner

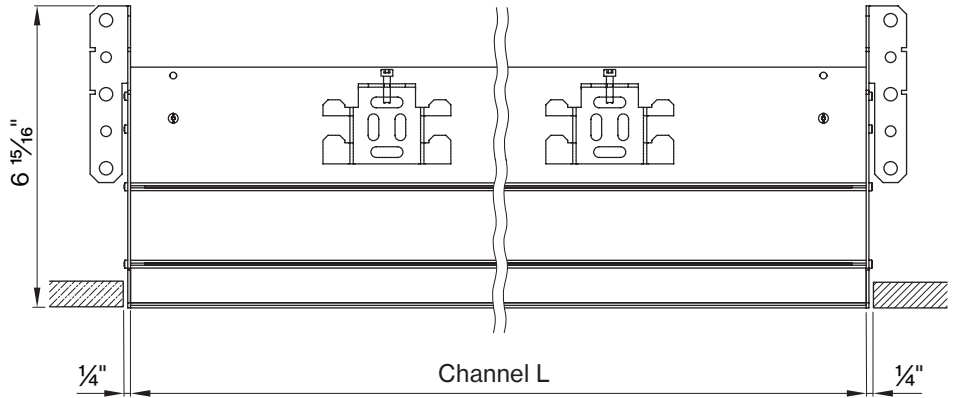
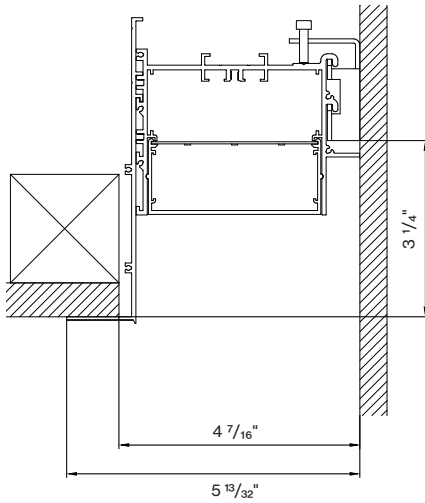


A / B / C	FIXTURES	CODE	A / B	FIXTURES	CODE
48" / 48" / 48"	2 × 2' linear + 2 × 2' × 2' corner	0 4 X 0 4 X 0 4 F T	48" / 48"	4 × 2' × 2' corner	0 4 X 0 4 F T
48" / 96" / 48"	1 × 4' linear + 2 × 2' linear + 2 × 2' × 2' corner	0 4 X 0 8 X 0 4 F T	48" / 96"	2 × 4' linear + 4 × 2' × 2' corner	0 4 X 0 8 F T
48" / 144" / 48"	1 × 8' linear + 2 × 2' linear + 2 × 2' × 2' corner	0 4 X 1 2 X 0 4 F T	96" / 96"	4 × 4' linear + 4 × 2' × 2' corner	0 8 X 0 8 F T

DIMENSIONS

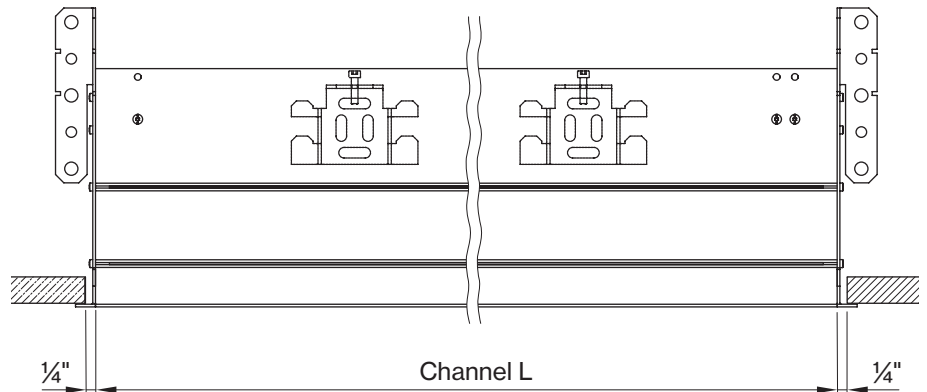
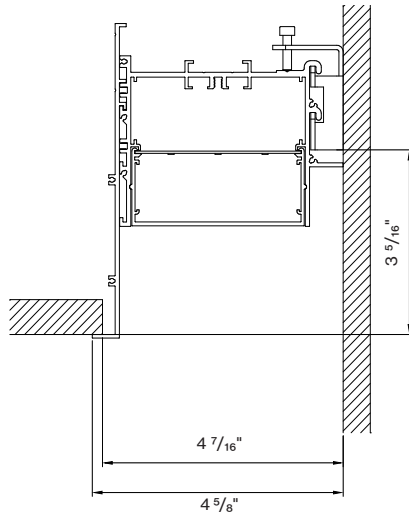
BASO 4.0 PERIMETER

trimless flush



please see BASO 4.0 PERIMETER mounting instructions for 3" and 4" regressed dimensions

with trim flush



please see BASO 4.0 PERIMETER mounting instructions for 3" and 4" regressed dimensions

Declare.

BASO 1.5 2.5 4.0
BASO Inc.

Final Assembly: Collins, Connecticut, USA
 (US Manufacturing: 75%)
 End of Life Options: Recyclable (80%), Landfill (20%)

Ingredients

Aluminum, 2-Phenylacetic acid, 2-methyl-, methyl ester, polymer with ethyl 2-cyanoacrylate, Steel, manufacture, Chemicals, Copper Channel, Cu2O, Steel, mounting components, Polycarbonate, Brass, SS - Invarred/Aluminum-G-Alexandryl/Clippers, Stainless Steel, Tin Organic Silicon

1,3C Temp Exception RECO2 - Small Electrical Components

Living Building Challenge Criteria Compliant

H3 Red List

■ LBC Red List Free % Disposed 100% at 100ppm Chloride
 ■ LBC Red List Approved VOC Content: Not Applicable

H0 Interior Performance Not Applicable
 H4 Responsible Sourcing Not Applicable

BASO-002
 8/17/18 REV 2025
 Original Issue Date 2023

INTERNATIONAL LIVING FUTURE INITIATIVE™ www.livingfuture.com

BASO mounting instructions

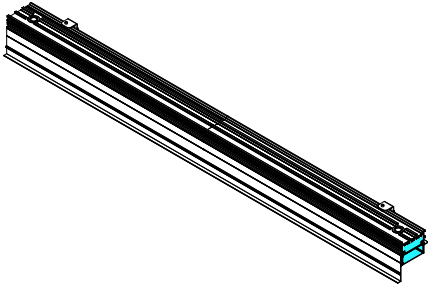
Get access to the BASO 4.0 mounting instructions faster by scanning the QR code.



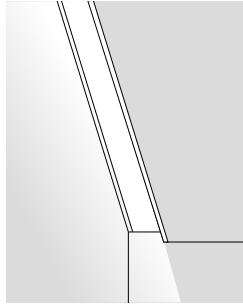
<https://www.basolighting.com/resources/mounting-instructions/baso>

BASO 4.0 PERIMETER

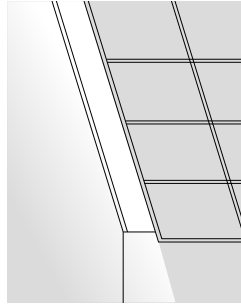
Invisible endcap



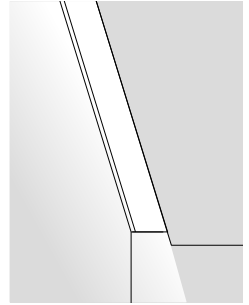
RTR



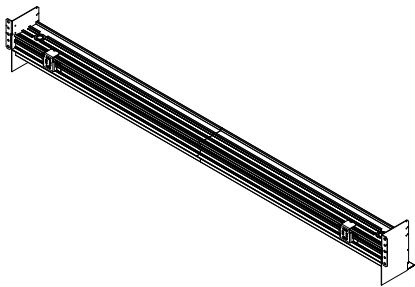
RTR (GRD)



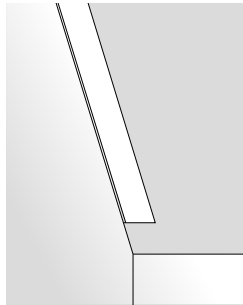
RTL



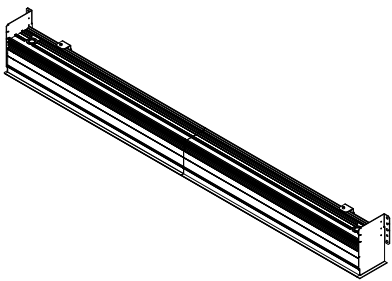
Trimless endcap



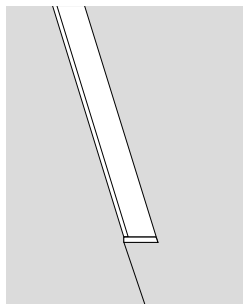
RTL



Trim endcap (RTR only)



RTR



RTR (GRD)

